



FEDERAL SIGNAL

Safety and Security Systems / Industrial

Advancing security and well-being.

Model 151XST Series Strobe Light for Use in Hazardous Conditions



Installation and Maintenance Manual

256822J
Rev. J0 913
Printed in U.S.A.

*français.....page 21
español.....página 43*



Warranty – Seller warrants all goods for five years on parts and 2-1/2 years on labor, under the following conditions and exceptions: Seller warrants that all goods of Seller's manufacture will conform to any descriptions thereof for specifications which are expressly made a part of this sales contract and at the time of sale by Seller such goods shall be commercially free from defects in material or workmanship. Seller reserves the right at the Seller's discretion to "Repair and Return" or "Replace" any item deemed defective during the warranty period. This warranty does not cover travel expenses, the cost of specialized equipment for gaining access to the product, or labor charges for removal and reinstallation of the product. This warranty shall be ineffective and shall not apply to goods that have been subjected to misuse, neglect, accident, damage, improper maintenance, or to goods altered or repaired by anyone other than Seller or its authorized representative, or if five years have elapsed from the date of shipment of the goods by Seller with the following exceptions: lamps and strobe tubes are not covered under this warranty. Outdoor warning sirens and controllers manufactured by Federal Warning Systems are warranted for two years on parts and one year on labor. No agent, employee, representative or distributor of Seller has any authority to bind the Seller to any representation, affirmation, or warranty concerning the goods and any such representation, affirmation or warranty shall not be deemed to have become a part of the basics of the sales contract and shall be unenforceable. THE FOREGOING WARRANTIES ARE EXCLUSIVE AND IN LIEU OF ALL OTHER WARRANTIES OR MERCHANTABILITY, FITNESS FOR PURPOSE AND OF ANY OTHER TYPE, WHETHER EXPRESS OR IMPLIED. These warranties shall not apply unless Seller shall be given reasonable opportunity to investigate all claims for allegedly defective goods. Upon Seller's instruction a sample only of allegedly defective goods shall be returned to Seller for its inspection and approval. The basis of all claims for alleged defects in the goods not discoverable upon reasonable inspection thereof pursuant to paragraph 8 hereof must be fully explained in writing and received by Seller within thirty days after Buyer learns of the defect or such claim shall be deemed waived.



Industrial Systems

2645 Federal Signal Drive • University Park, IL 60484-3167

Tel: 708-534-4756 • Fax: 708-534-4852

Email: elp@federalsignal.com • www.federalsignal-indust.com

Contents

Safety Messages to Installers	5
An Overview of the 151XST Series	6
Unpacking the Light	7
Pipe-Mounting the Beacon (151XST).....	9
Surface-Mounting the Beacon (151XST-S).....	10
Wiring the Beacon	11
Wiring the AC Models.....	12
Wiring the DC Models	14
Safety Message to Maintenance Personnel	14
Replacing the Flash Tube	16
Replacing the Printed Circuit Board (PCB)	17
Cleaning the Fixture	18
Lubricating the Threaded Joint.....	18
Getting Repair Service or Technical Assistance	19
Ordering Accessories and Replacement Parts	19
Returning the Product for Credit	20

Tables

Table 1 Specifications	7
Table 2 Voltage and operating current	7
Table 3 Flash rate and candelas	8
Table 4 Hazardous Location Rating	8
Table 5 Replacement parts	19
Table 6 Accessory	20

Figures

Figure 1 Pipe-mounted beacon 10

Figure 2 Surface-mounted beacon 11

Figure 3 Cross section of beacons 13

Figure 4 Normal (A) and darkened (B) flash tube..... 17

Safety Messages to Installers

⚠ WARNING

It is important to follow all instructions shipped with this product. This device is to be installed by a trained electrician who is thoroughly familiar with the National Electrical Code and/or Canadian Electrical Code and will follow the NEC and/or CEC Guidelines as well as all local codes. This beacon should be considered a part of the warning system and not the entire warning system.

The selection of the mounting location for the beacon, its controls and the routing of the wiring are to be accomplished under the direction of the facilities engineer and the safety engineer. In addition, listed below are some other important safety instructions and precautions you should follow:

- Read and understand all instructions before installing or operating this beacon.
- Never alter the beacon in any manner. Safety in hazardous locations may be endangered if additional openings or other alterations are made to units specifically designed for use in these locations.
- Do not connect this beacon to the system when power is on.
- After installation, ensure that the set screw is properly tightened and that threaded joints are fully engaged.
- After installation, test the beacon to ensure that it is operating properly.
- After testing is complete, provide a copy of this instruction booklet to all operating personnel.
- Establish a procedure to routinely check the light installation for integrity and proper operation.

Installation and Maintenance Instructions

Failure to follow all safety precautions and instructions may result in property damage, serious injury, or death.

An Overview of the 151XST Series

Federal Signal's Model 151XST hazardous location strobe light provides 80 high-intensity flashes per minute. This warning light is available in 12-24 Vdc, 120 Vac and 240 Vac, 50/60 Hz.

The Model 151XST strobe light is UL Listed and CSA Certified for Class I, Division 2, Groups A, B, C and D; Class II, Division 1, Groups E, F and G; and Class III.

The 151XST meets Type 4X water-tight, dust-tight, and corrosion-resistant requirements; constructed to IP66. This hazardous location warning light has an aluminum base, coated for corrosion resistance that is ready for mounting on a 3/4-inch NPT pipe. The included dome guard fits over the glass dome to protect it against accidental collision with moving equipment, such as forklifts. An optional wall bracket is also available.

The 151XST has an effective candela (ECP) of 165 and a 520,000 peak candela. It is available in six dome colors, including amber, blue, clear, green and red (magenta upon request).

Federal Signal's rugged 151XST strobe warning light is specifically designed for hazardous locations or corrosive environments where a very bright visual signal is required. This warning light can be used for plant evacuation or other communication needs.

Models are available for pipe mounting (151XST) or surface mounting (151XST-S).

NOTE: The Model 151XST can be mounted to a Federal Signal Model LHWB bracket. If installed in this way, the entire assembled device is suitable only for Class I, Div. 2, Groups A, B, C, and D; Class II, Div. 2, Groups F and G; Class III locations.

Unpacking the Light

⚠ WARNING

EXPLOSION HAZARD—Damaged domes can lead to explosions that could result in serious injury or death.

After unpacking the beacon, examine it for damage that may have occurred in transit. If the beacon has been damaged, do not attempt to install or operate it. File a claim immediately with the carrier, stating the extent of the damage. Carefully check all envelopes, shipping labels, and tags before removing or discarding them. Disposal of all shipping materials must be carried out in accordance with national and local codes and standards. If any parts are missing, please call Federal Signal Customer Support at 708-534-4756 or 877-289-3246.

Table 1 Specifications

Lamp Life:	10,000 hours
Light Source:	Strobe tube
Operating Temperature:	-67 °F to 150 °F (-55 °C to 65.6 °C)
Net Weight:	3.8 lb (1.7 kg)
Shipping Weight:	4.5 lb (2.0 kg)
Height:	9.25 in (234.95 mm)
Diameter:	5.5 in (139.7 mm)

Table 2 Voltage and operating current

Model	Voltage	Operating Current
151XST(-S) 012-024__	12-24 Vdc	1.3 A to 0.60 A
151XST(-S)-120__	120 Vac, 50/60 Hz	0.35 A
151XST(-S)-240__	240 Vac, 50/60 Hz	0.16 A

__ Indicates color: (A) amber, (B) blue, (C) clear, (G) green, (M) magenta or (R) red.

Table 3 Flash rate and candelas

Model	Flash Rate per Minute	Candela	
		Peak ¹	ECP ²
151XST(-S) 012-024__	80	520,000	165
151XST(-S)-120__	80	520,000	165
151XST(-S)-240__	80	520,000	165

__ Indicates color: (A) amber, (B) blue, (C) clear, (G) green, (M) magenta or (R) red.

¹Peak candela is the maximum light intensity generated by a flashing light during its light phase.

²ECP (Effective Candela) is the intensity that would appear to an observer if the light were burning steadily.

Table 4 Hazardous Location Rating

Temperature Code at Maximum Temperature, °C	
Hazardous Location	66 °C
Class I, Div 2, Groups A, B, C & D	T1/301°
Class II, Div 1, Groups E, F & G	T5/100°
Class III	T5/100°

To reduce the risk of fire or explosion, do not install the beacon in a hazardous location if the operating temperature exceeds the ignition temperature of hazardous atmosphere.

Before proceeding, use Table 4 above as a guide and determine that the unit’s operating temperature DOES NOT exceed the hazardous atmosphere’s ignition temperature.

For marine applications, all wiring including supply wire must be stranded wire and meet the USCG (CFR46) Sections (110-113).

NOTE: In high-humidity environments when units are mounted dome down, condensation may occur in the conduit system. Use properly rated conduit seals/drains to prevent moisture from entering the fixture.

Pipe-Mounting the Beacon (151XST)

⚠ WARNING

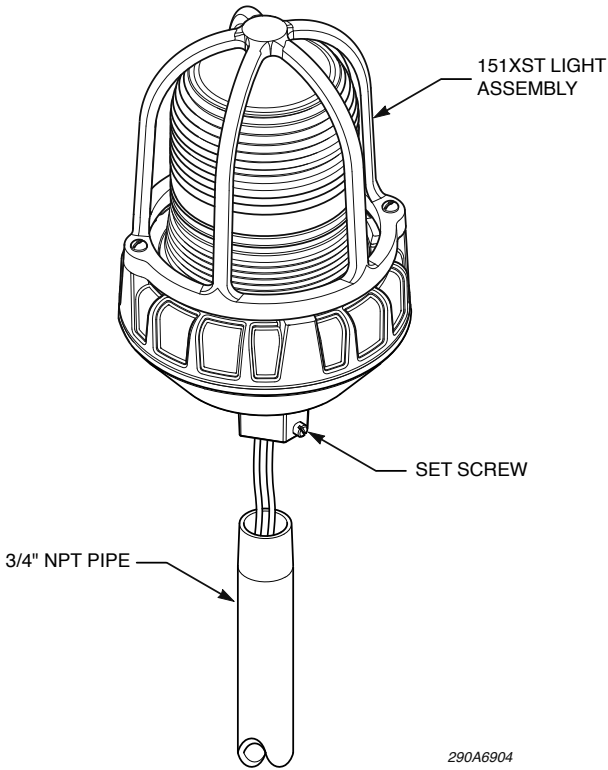
EXPLOSION HAZARD—To reduce the risk of fire or explosion, do not install the beacon in a hazardous location if the operating temperature exceeds the hazardous atmosphere's ignition temperature. Before proceeding, consult the product nameplate and determine the operating temperature of the beacon.

NOTE: To comply with NEC Section 300-14, which requires a minimum of 6 inches (15.25 cm) of free conductor at a junction, when mounting the Model 151XST, the mounting pipe used to join the unit to a splice box should be no longer than 10 in (25.4 cm).

The Model 151XST has provisions for mounting a 3/4" pipe and can be mounted in any position.

1. Before mounting the beacon, ensure that the mating threads are clean.
2. To prevent the ingress of water and dust, apply conductive sealant to the conduit threads prior to mounting. If non-conductive sealant is used, the enclosure must be earthed via the provided internal grounding wire/grounding screw to ensure proper grounding continuity (Figure 3 on page 13).
3. See Figure 1 on page 10. Thread the fixture onto the 3/4-inch pipe and secure it with the set screw.

Figure 1 Pipe-mounted beacon

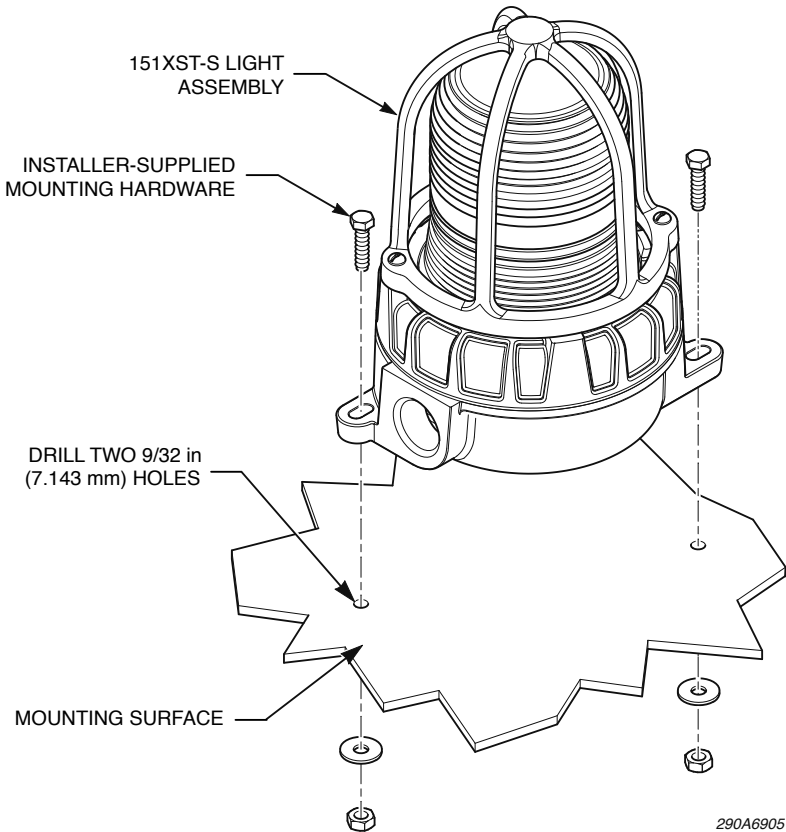


Surface-Mounting the Beacon (151XST-S)

To surface mount the beacon:

1. See Figure 2. Use the mounting base as a template to mark the location of the two mounting holes.
2. Drill a 9/32-inch (7.143 mm) hole at each mark.
3. Secure the beacon to the mounting surface with installer supplied hardware.

Figure 2 Surface-mounted beacon



Wiring the Beacon

The Model 151XST Series Beacon should be installed per the NEC or CEC, STATE and LOCAL CODES. Alternate installation locations and/or orientations should only be performed with the approval of the authority having jurisdiction. In addition, the unit can be mounted using an optional ceiling mount or optional wall mount.

NOTE: The 120 Vac or 230-240 Vac strobe units are designed to operate on both 50 Hz and 60 Hz electrical power. Special modifications are NOT required for the two different AC line frequencies.

⚠ WARNING

SHOCK HAZARD—To avoid electrical shock hazards, do not connect wires while power is applied.

⚠ WARNING

EXPLOSION HAZARD—Do not disconnect the beacon while the circuit is live or unless the area is known to be free of ignitable concentrations. Keep the beacon tightly closed when in operation.

NOTICE

REVERSE POLARITY/MISWIRING—Although the 151XST is not polarity sensitive, it MAY BE DAMAGED by incorrect electrical hookup. Damage will result if the voltage rating of the particular model is exceeded.

NOTE: Wiring must comply with the National Electrical Code or Canadian Electrical Code and the local authority having jurisdiction.

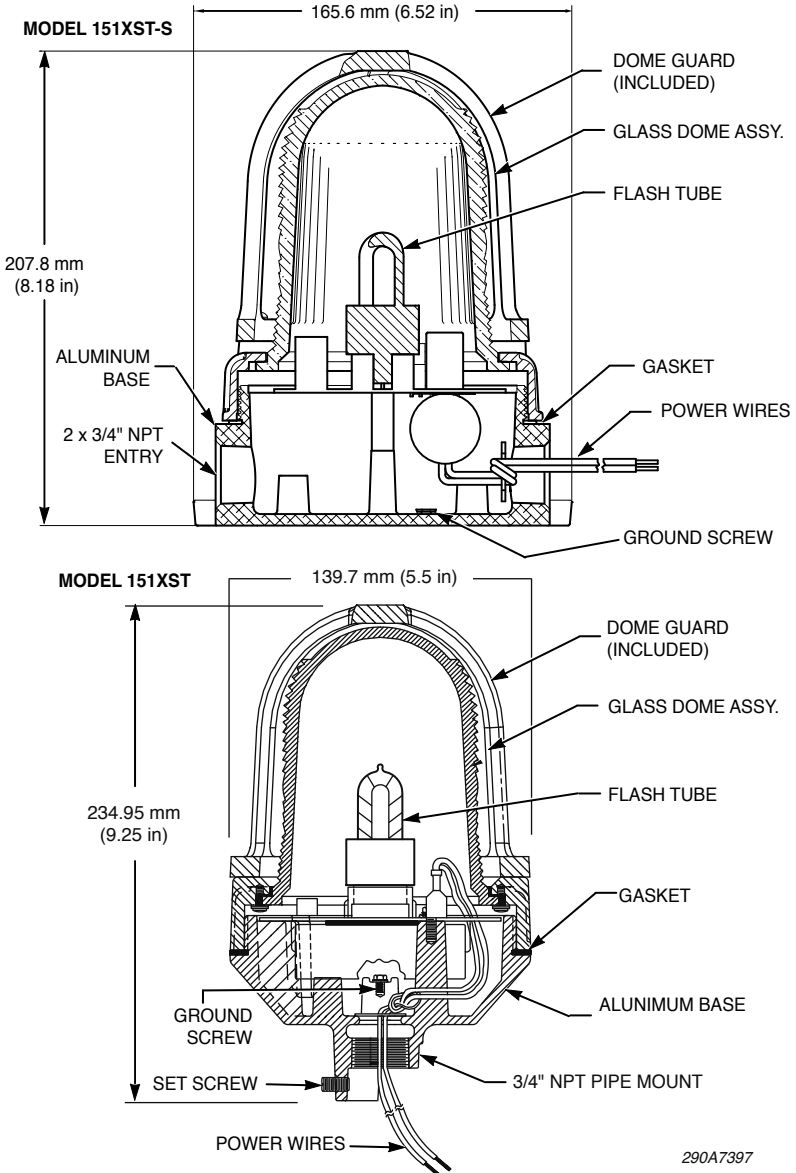
Wiring the AC Models

The AC models have two 24-inch leads, one black and one white. To wire the AC beacon:

1. Ensure that power is off.
2. Remove the threaded dome assembly by twisting it counterclockwise.
3. Connect the black lead to the phase (hot) side of the power source and the white lead to the common (neutral) side of the AC power source.
4. If required, the green screw in the housing is provided for connection to an earth ground (Figure 3 on page 13). To gain access to the screw, remove the power supply assembly.
5. Secure the dome to the base of the beacon.

6. Connect power to the beacon and test it for proper operation.

Figure 3 Cross section of beacons



Wiring the DC Models

The DC units have two 24-inch leads, one black and one red. To wire the DC beacon:

1. Ensure that power is off.
2. Remove the threaded dome assembly by twisting it counterclockwise.
3. Connect the red (+) lead to the positive side of the power source and the black (-) lead to the negative side of power source.
4. If required, the green screw in the housing is provided for connection to an earth ground. To gain access to the screw, remove the power supply assembly.
5. Secure the dome to the base of the beacon.
6. Connect power to the beacon and test it for proper operation.

Safety Message to Maintenance Personnel

Listed below are some important safety instructions and precautions you should follow:

- Read and understand all instructions before operating this system.
- Any maintenance to the light system must be done with power turned off.
- Any maintenance to the light system must be performed by a trained electrician who is thoroughly familiar with all applicable national and local codes in the country of use.
- Do not connect this beacon to the system when power is on.
- Do not disconnect the beacon while the circuit is live or unless the area is known to be free of ignitable concentrations. Keep the beacon tightly closed when in operation.

- Never alter the unit in any manner. Safety of the unit may be affected if additional openings or other alterations are made to the internal components or housing.
- The nameplate should NOT be obscured, as it contains cautionary and/or other information of importance to maintenance personnel. Ensure the nameplate remains readable if the housing exterior is painted.
- If the dome is damaged in any way, it MUST be replaced.
- After performing any maintenance, test the light system to ensure that it is operating properly.

Failure to follow all safety precautions and instructions may result in property damage, serious injury, or death.

Servicing the Beacon

⚠ WARNING

EXPLOSION HAZARD—To prevent ignition of hazardous atmospheres, disconnect the fixture from the supply circuit before opening it.

⚠ WARNING

EXPLOSION HAZARD—Do not disconnect the beacon while the circuit is live or unless the area is known to be free of ignitable concentrations. Keep the beacon tightly closed when in operation.

⚠ WARNING

EXPLOSION HAZARD—To maintain the vapor-tight enclosure, do not damage the globe or threads while disassembling or reassembling the unit. Lubricated threaded joints exposed for long periods of time may attract small particles of dirt or other foreign materials. Housing and cover joints should be reassembled immediately, with all the threads fully engaged.

⚠ WARNING

SHOCK HAZARD—High voltages are present inside the light assembly. Wait at least 5 minutes after shutting off the power before servicing this unit.

Establishing a regular maintenance and inspection schedule extends the life of the Model 151XST and ensures safety. For service, support, or replacement parts, see pages 19 and 20.

Replacing the Flash Tube

As strobe lights are used, the flash tubes begin to darken, causing the light output to decrease. This darkening is characteristic of flash tubes. Darkening will begin near the base of the tube and progress upward. Also, as flash tubes age, they may have a tendency to misfire (not fire periodically).

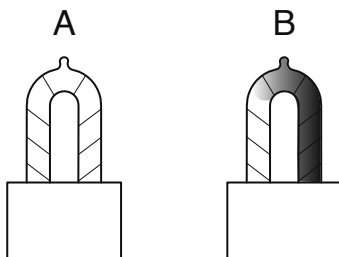
After extended operation, occasionally check for flash tube degradation. Should the flash tube misfire, have a noticeable decrease in light output, glow continuously or darken to a point beyond that shown in Figure 4 on page 17, it should be replaced.

To replace the flash tube:

1. Disconnect power to the beacon and wait at least 5 minutes to allow all capacitors to discharge.
2. Remove the threaded dome assembly by twisting it counterclockwise.
3. With the dome removed, gently pull the flash tube from its socket. A rocking motion is most helpful when installing or removing the tube.
4. Replace the flash tube. Ensure that the replacement tube is fully seated in the socket.
5. Replace the globe assembly. Ensure that the globe assembly is seated securely against the gasket.

6. Test the beacon for proper operation.

Figure 4 Normal (A) and darkened (B) flash tube



290A7396

Replacing the Printed Circuit Board (PCB)

To replace the PCB:

1. Disconnect the power to the beacon and wait at least 5 minutes to allow all capacitors to discharge.
2. Remove the threaded dome assembly by twisting it counterclockwise.
3. Remove and retain the screw that secures the circuit board to the housing.
4. Disconnect power to the PCB:
 - a) To replace a Series A1 PCB, disconnect the two supply wires from the old circuit board and connect them to the mating side of the supplied adapter assembly. Connect the other side of the adapter assembly to the new circuit board.
 - b) To replace a Series A2 circuit board, disconnect the power connector from the old circuit board and connect it to the connector on the new circuit board.

NOTE: Ensure that the connector is fully seated on the circuit board connectors.

Installation and Maintenance Instructions

5. Secure the new circuit board to the housing with the screw removed in step 2.
6. Install the new flash tube in the socket. Ensure that the flash tube is fully seated in the socket.
7. Replace the globe assembly. Ensure that the globe assembly is seated securely against the gasket.
8. Test the light for proper operation.

Cleaning the Fixture

⚠ WARNING

EXPLOSION HAZARD—Never use an abrasive material or file to remove corrosive materials from threaded surfaces. In extremely corrosive locations, equipment should be periodically inspected to guard against unusual deterioration and possible porosity, since this may weaken the enclosure structurally.

Maintenance procedures sometimes require fixtures to be hosed down for good housekeeping. The circuit should be turned off prior to hosing down the fixture.

The fixture should be cleaned periodically to maintain maximum light output. Only mild, non-abrasive cleaning agents should be used. The glass globe should be regularly inspected for scratches and chips, and if damaged, **MUST** be replaced.

Lubricating the Threaded Joint

The threaded joint on the cover should be kept well lubricated with a corrosion inhibiting grease such a petrolatum or soap-thickened mineral oil. If corrosive materials have accumulated on the threaded joints and cannot be removed with solvents, the parts should be discarded and replaced.

Getting Repair Service or Technical Assistance

Products returned for repair require a Return Authorization form from your local distributor or from Federal Signal. To obtain repair service or technical assistance from Federal Signal, call 708-534-4756 or 877-289-3246. For instruction manuals and information on related products, visit:

<http://www.federalsignal-indust.com>

Ordering Accessories and Replacement Parts

⚠ WARNING

EXPLOSION HAZARD—Substitution of components may impair suitability for Class I, Division 2.

Typical spare parts are listed in Table 4. Due to certification, certain component parts are not available for field replacement. Units with this type of damage must be either replaced entirely or returned to Federal Signal for service. To order accessories and replacement parts, please call Federal Signal Customer Support at 708-534-4756 or 877-289-3246.

Table 5 Replacement parts

Description	Part Number
Dome Assy., Red	K8449078
Dome Assy., Amber	K8449078-01
Dome Assy., Clear	K8449078-04
Dome Assy., Blue	K8449078-06
Dome Assy., Green	K8449078-07
Dome Assy., Magenta	K8449078-05
Gasket	K8449080
Grease, 8 oz Tube	KR81-05-01
Dome Guard	K8449090
Power Supply Assy., 12-24 Vdc	K2001173
Power Supply Assy., 120 Vac	K2001071
Power Supply Assy., 240 Vac	K2001071-01
Flash Tube	K149122

Table 6 Accessory

Description	Model
Hazardous Location Wall-Mount Bracket	LHWB*

** Cannot be used in Class II, Division 1 applications. NEMA 4X and IP66 rated when used with the appropriate conduit fittings.*

Returning the Product for Credit

Product returns for credit require a return authorization from your local distributor prior to returning the product to Federal Signal. Please contact your distributor for assistance.

A product is qualified to be returned for credit when the following conditions are met:

- Product is resalable and in the original cartons
- Product has not been previously installed
- Product is the current revision
- Product has not been previously repaired
- Product is a standard product
- Product is not a service part

All returns are subject to a re-stock fee.

Defective products that are returned within the warranty period will be repaired or replaced at Federal Signal’s sole discretion. Defective products do not include those products with lamp failure.

Circumstances other than those listed above will be addressed on a case-by-case basis.



Industrial Systems

2645 Federal Signal Drive • University Park, IL 60484-3167
Tel: 708-534-4756 • Fax: 708-534-4852
Email: elp@federalsignal.com • www.federalsignal-indust.com



FEDERAL SIGNAL

Safety and Security Systems / Industrial

Advancing security and well-being.

Lumière stroboscopique 151XST pour endroits dangereux



Instructions d'installation et d'entretien

256822J

Rev. J0 913

Imprimé aux États-Unis



Garantie – Le vendeur offre pour tous les produits une garantie de cinq ans sur les pièces et de 2,5 ans sur la main-d'œuvre, selon les conditions et exceptions suivantes : le vendeur garantit que tous les produits qu'il fabrique seront conformes aux descriptions correspondant aux spécifications qui font expressément partie de ce contrat de vente et qu'au moment de la vente par le vendeur, de tels produits devront être exempts de défauts de matériel et de fabrication. Le vendeur se réserve le droit, à sa discrétion, de « Réparer et retourner » ou « Remplacer » tout article jugé défectueux durant la période de garantie. Cette garantie ne couvre pas les frais de voyage, le coût de l'équipement spécialisé pour avoir accès au produit ou les frais de main-d'œuvre liés à l'enlèvement et à la réinstallation du produit. Cette garantie sera inopérante et ne s'appliquera pas aux produits qui ont subi un mauvais usage, une négligence, un accident, des dommages ou un entretien inapproprié, ou aux produits modifiés ou réparés par quelqu'un d'autre que le vendeur ou son représentant autorisé, ou si cinq ans se sont écoulés depuis la date de l'envoi des produits par le vendeur avec les exceptions suivantes : les lampes et les tubes stroboscopiques ne sont pas couverts par cette garantie. Les sirènes d'alarme extérieures et les appareils de contrôle fabriqués par Federal Warning Systems sont couverts par une garantie deux ans sur les pièces et de un an sur la main-d'œuvre. Aucun agent, employé, représentant ou distributeur du vendeur n'a autorité pour lier celui-ci à une représentation, affirmation, ou garantie relative au produit et une telle représentation, affirmation, ou garantie ne pourra pas être considérée comme faisant partie des généralités du contrat de vente et sera inexécutable. LES GARANTIES CI-DESSUS SONT EXCLUSIVES ET TIENNENT LIEU DE TOUTES LES AUTRES GARANTIES DE LA QUALITÉ MARCHANDE, DE COMPATIBILITÉ À UN USAGE PARTICULIER OU D'UN AUTRE TYPE, QU'ELLES SOIENT EXPRESSES OU IMPLICITES. Ces garanties ne s'appliqueront pas si le vendeur n'a pas la possibilité raisonnable d'enquêter sur toutes les réclamations de produits soi-disant défectueux. À la demande du vendeur, un échantillon seulement des produits soi-disant défectueux lui sera retourné pour inspection et approbation. La raison de toute réclamation pour de soi-disant défauts dans les produits ne pouvant être découverts après une inspection raisonnable en vertu du paragraphe 8 ci-contre doit être entièrement expliquée par écrit et reçue par le vendeur dans les trente jours après que l'acheteur ait pris connaissance du défaut ou une telle réclamation sera considéré comme nulle.



Industrial Systems

2645 Federal Signal Drive • University Park, IL 60484-3167

Tel: 1-708-534-4756 • 1-877-289-3246 • Fax: 1-708-534-4852

www.federalsignal-indust.com • www.fs-isys.com

Contenu

Messages de sécurité destinés aux installateurs	25
Aperçu de la gamme 151XST	26
Déballage de la lumière.....	27
Installation de la lumière sur un tuyau (151XST).....	29
Installation de la balise lumineuse sur une surface (151XST-S) ...	30
Câblage de la lumière.....	31
Câblage des modèles en CA.....	32
Câblage des modèles en CC	34
Message de sécurité destiné au personnel d'entretien	34
Remplacement du tube à éclats	36
Remplacement de la carte de circuits imprimés.....	37
Nettoyage de l'appareil	38
Lubrification du joint fileté.....	39
Service de réparation ou assistance technique	39
Accessoires et pièces de rechange.....	39
Renvoi du produit pour obtention d'un crédit.....	40

Tableaux

Tableau 1 Caractéristiques techniques.....	27
Tableau 2 Tension et courant de fonctionnement	27
Tableau 3 Fréquence des éclats et intensité lumineuse	28
Tableau 4 Classification des endroits dangereux	28
Tableau 5 Accessoire.....	40
Tableau 6 Pièces de rechange	40

Figures

Figure 1 Lumière 151XST installée sur un tuyau..... 30

Figure 2 Lumière 151XST-S installée sur une surface 31

Figure 3 Coupe transversale des lumières..... 33

Figure 4 Tube à éclats normale (A) et foncé (B)..... 37

Messages de sécurité destinés aux installateurs

⚠️ AVERTISSEMENT

Bien suivre toutes les instructions fournies avec ce produit. Cet appareil doit être installé par un électricien qualifié qui connaît parfaitement le Code national de l'électricité et/ou le Code canadien de l'électricité, et suivra les directives du CNE et/ou du CCE, ainsi que des codes locaux. Cette lumière doit être considérée comme faisant partie du système d'avertissement et non comme le système lui-même.

Le choix du lieu d'installation de la lumière, les commandes et le passage des câbles doivent s'effectuer sous la direction de l'ingénieur des installations et de l'ingénieur de la sécurité. De plus, d'autres précautions et instructions importantes relatives à la sécurité et à observer figurent dans la liste ci-dessous :

- Bien lire et comprendre toutes les instructions avant d'installer ou d'utiliser cette lumière.
- Ne jamais modifier cet appareil de quelque façon que ce soit. Le fait de ménager d'autres ouvertures ou d'apporter d'autres modifications à des appareils spécialement conçus pour des emplacements dangereux peut compromettre la sécurité.
- Ne pas connecter ce dispositif au système lorsque ce dernier est sous tension.
- Après l'installation, vérifier que les vis sont bien serrées et que les joints filetés sont vissés jusqu'au bout.
- Après l'installation, tester la lumière pour vérifier son bon fonctionnement.
- Une fois le test terminé, distribuer un exemplaire de cette fiche d'instructions à l'ensemble du personnel d'exécution.
- Mettre en place une procédure visant à vérifier régulièrement l'intégrité et le bon fonctionnement de la lumière installée.

Le non-respect de toutes les précautions et instructions de sécurité peut provoquer des dommages à la propriété, des blessures graves voire la mort.

Aperçu de la gamme 151XST

La lumière stroboscopique pour endroits dangereux 151XST de Federal Signal émet 80 éclats lumineux à haute intensité par minute. Cet avertisseur lumineux est proposé en 12 à 24 Vcc, 120 Vca et 240 Vca, à 50/60 Hz.

Homologué UL, le modèle 151XST possède également la certification CSA de classe I, division 2, groupes A, B, C et D; classe II, division 1, groupes E, F et G et classe III.

Sa protection répondant aux normes IP66 est de type 4X en ce qui concerne l'étanchéité à l'eau et à la poussière, ainsi que la résistance à la corrosion. Cet avertisseur lumineux pour emplacement dangereux est fait d'une base en aluminium avec revêtement anticorrosion, prête à être fixée sur un tuyau de 19 mm NPT (0,75 po).

L'intensité lumineuse efficace par seconde du modèle 151XST s'élève à 165, avec une capacité limite de 520 000. Le dôme se décline en six couleurs : ambre, bleu, transparent, vert, rouge, et magenta sur demande.

Robuste, l'avertisseur lumineux stroboscopique 151XST est spécialement conçu pour les endroits dangereux ou les milieux corrosifs nécessitant la présence d'un signal visuel brillant. Il peut être utilisé pour l'évacuation d'une usine ou pour d'autres besoins de communication. Certains modèles se fixent sur un tuyau (151XST), tandis que d'autres se montent sur une surface (151XST-S).

REMARQUE : Le modèle 151XST peut être fixé sur un support LHWB de Federal Signal. Dans ce cas, l'installation finale n'est destinée qu'à des emplacements de la classe I, division 2, groupes A, B, C et D; de la classe II, division 2, groupes F et G ainsi que de la classe III.

Déballage de la lumière

⚠ AVERTISSEMENT

RISQUE D'EXPLOSION—S'ils sont abîmés, les dômes peuvent provoquer des explosions susceptibles d'entraîner des blessures graves, voire la mort.

Après avoir déballé la lumière, l'inspecter pour vérifier qu'aucun dommage n'est survenu lors du transport. Si la lumière a été endommagée, ne pas essayer de l'installer ou de l'utiliser. Déposer immédiatement une réclamation auprès du transporteur en précisant l'étendue des dégâts. Vérifier avec soin toutes les enveloppes, étiquettes d'expédition et autres étiquettes avant de les retirer ou de les détruire. La mise au rébus de tout matériel de transport doit être effectuée conformément aux normes et codes locaux et nationaux. En cas de pièces manquantes, communiquer avec le Service à la clientèle de Federal Signal au 708-534-4756 ou 877-289-3246.

Tableau 1 Caractéristiques techniques

Durée de vie de l'ampoule :	10 000 heures
Source lumineuse :	Tube stroboscopique
Température de fonctionnement :	-55 °C à 65,6 °C (-67 °F à 150 °F)
Poids net :	1,7 kg (3,8 lb)
Poids d'expédition :	2,0 kg (4,5 lb)
Longueur :	234,95 mm (9,25 po)
Diamètre :	139,7 mm (5,5 po)

Tableau 2 Tension et courant de fonctionnement

Modèle	Tension	Courant de fonctionnement
151XST(-S) 012-024__	12-24 Vcc	1,3 A to 0,60 A
151XST(-S)-120__	120 Vca, 50/60 Hz	0,35 A
151XST(-S)-240__	240 Vca, 50/60 Hz	0,16 A

__ correspond à la couleur : (A) ambre, (B) bleu, (C) transparent, (G) vert, (M) magenta ou (R) rouge.

Tableau 3 Fréquence des éclats et intensité lumineuse

Modèle	Nombre d'éclats par minute	Intensité lumineuse	
		Limite ¹	ILE ² luminosité efficace
151XST(-S) 012-024__	80	520 000	165
151XST(-S)-120__	80	520 000	165
151XST(-S)-240__	80	520 000	165

__ correspond à la couleur : (A) ambre, (B) bleu, (C) transparent, (G) vert, (M) magenta ou (R) rouge.

¹L'intensité lumineuse limite est l'intensité maximale générée par un éclat au cours de sa phase lumineuse.

²L'intensité lumineuse efficace (ILE) est l'intensité qui serait observée si la lumière était constante.

Tableau 4 Classification des endroits dangereux

Code de température à la température maximale, en °C	
Milieu dangereux	66 °C
Classe I, div. 2, groupes A, B, C et D	T1/301°
Classe II, div 1, groupes E, F et G	T5/100°
Classe III	T5/100°

Pour réduire les risques d'incendie ou d'explosion, ne pas installer la lumière dans un endroit dangereux si la température de fonctionnement dépasse le point d'inflammation de l'atmosphère dangereuse.

Avant l'installation, consulter le tableau 4 ci-dessus pour vérifier que la température de fonctionnement de la balise lumineuse NE DÉPASSE PAS le point d'inflammation de l'atmosphère dangereuse.

En cas d'utilisation en milieu marin, tous les fils, y compris les fils d'alimentation, doivent être des fils multibrins conformes aux sections 110 à 113 de la norme USCG CFR46.

REMARQUE : En cas d'installation du dôme vers le bas dans des milieux très humides, de la condensation peut apparaître dans les conduits. Utiliser des évacuations ou des joints pour conduits adaptés afin que l'humidité ne puisse pas pénétrer dans l'appareil.

Installation de la lumière sur un tuyau (151XST)

⚠️ AVERTISSEMENT

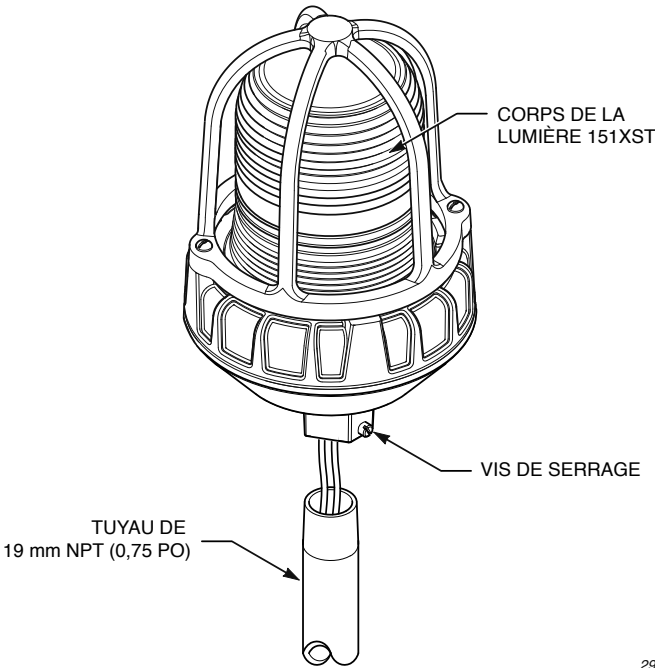
RISQUES D'EXPLOSION—Pour réduire les risques d'incendie ou d'explosion, ne pas installer la lumière dans un endroit dangereux si la température de fonctionnement dépasse le point d'inflammation de l'atmosphère dangereuse. Avant toute chose, consulter la plaque signalétique du produit pour connaître la température de fonctionnement de la lumière

REMARQUE : Conformément à la section 300-14 du NEC, qui exige une longueur minimale de 15,25 cm (6 po) de conducteur libre au raccordement, le tuyau utilisé pour brancher l'appareil à la boîte de branchement lors de l'installation du modèle 151XST ne doit pas dépasser 25,4 cm (10 po).

Le modèle 151XST est conçu pour être installé sur un tuyau de 19 mm (0,75 po), dans n'importe quelle position.

1. Avant l'installation, vérifier que les filets correspondants sont propres.
2. Pour empêcher l'eau et la poussière d'entrer dans l'appareil, appliquer du produit d'étanchéité aux filets du conduit avant l'installation. Si le produit d'étanchéité n'est pas conducteur, le boîtier doit être mis à la terre grâce au fil ou au câble interne prévu à cet effet, afin d'assurer la continuité de la mise à la terre (figure 3, page 33).
3. Voir la figure 1, page 30. Visser la lumière sur le tuyau de 19 mm (0,75 po) et la fixer à l'aide de la vis de serrage.

Figure 1 Lumière 151XST installée sur un tuyau

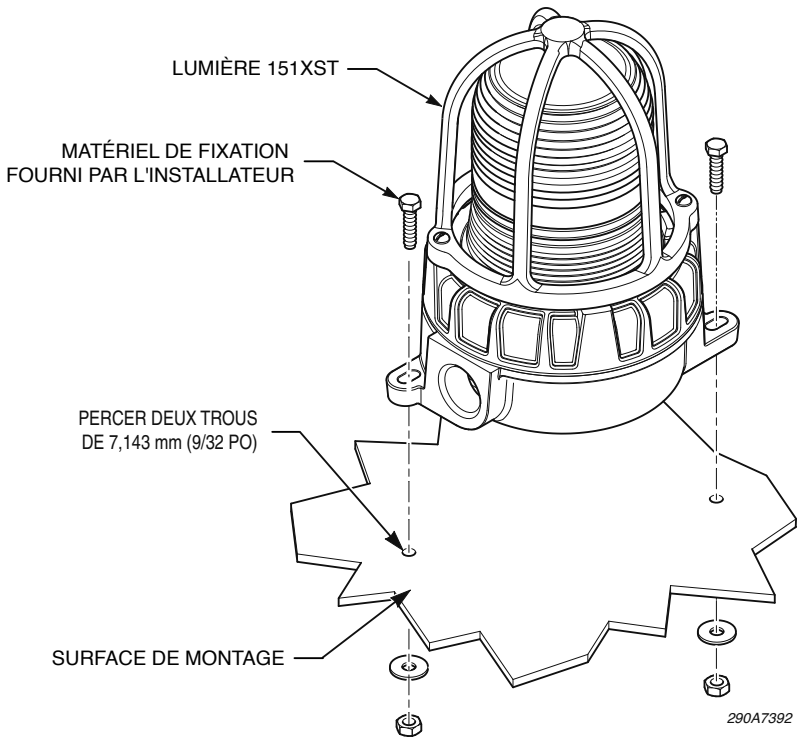


Installation de la balise lumineuse sur une surface (151XST-S)

Pour fixer la lumière sur une surface :

1. Voir la figure 2. Utiliser la base de fixation comme modèle pour marquer l'emplacement des deux trous de fixation.
2. Percer un trou de 7,1 mm (9/32 po) à chaque emplacement marqué.
3. Fixer la lumière sur la surface à l'aide du matériel fourni.

Figure 2 Lumière 151XST-S installée sur une surface



Câblage de la lumière

Le modèle 151XST(-S) doit être installée conformément au Code national de l'électricité, au Code canadien de l'électricité, aux CODES PROVINCIAUX et aux CODES LOCAUX. Pour procéder à l'installation à un autre endroit ou dans un autre sens, il vous faut l'approbation de l'autorité compétente. En outre, il est possible de fixer l'appareil à l'aide d'un montant pour plafond ou pour mur, offert en option.

REMARQUE : Les lumières stroboscopiques de 120 Vca ou 230-240 Vca sont conçues pour une alimentation de 50 Hz et 60 Hz. AUCUNE modification n'est nécessaire pour les deux lignes à courant CA.

⚠ AVERTISSEMENT

RISQUE DE CHOC ÉLECTRIQUE — *Pour éviter les chocs électriques, ne pas brancher les fils lorsque l'appareil est sous tension.*

⚠ AVERTISSEMENT

RISQUES D'EXPLOSION—*Ne débrancher la lumière que si le circuit est sous tension, ou si vous avez vérifié qu'il n'y a pas de concentrations de produits inflammables dans la zone. Lors du fonctionnement, la lumière doit être hermétiquement fermée.*

AVIS

POLARITÉ INVERSÉE/MAUVAIS BRANCHEMENT—*Bien qu'il ne soit pas polarisé, l'appareil 151XST(-S) peut s'abîmer s'il est mal branché. En particulier, il peut subir des dégâts en cas de dépassement de la tension nominale prévue.*

REMARQUE : Le câblage doit être conforme aux dispositions du Code national de l'électricité, du Code canadien de l'électricité et des dispositions des autorités compétentes.

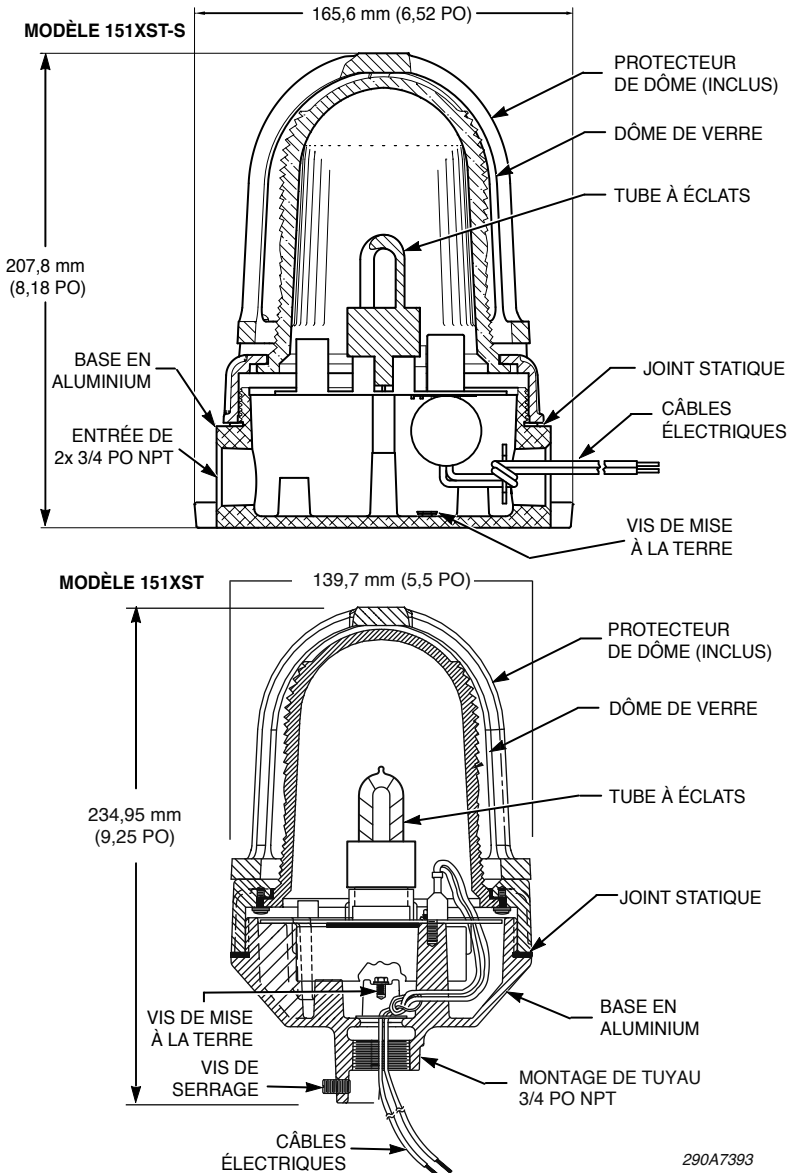
Câblage des modèles en CA

Les modèles en CA comportent deux fils de 61 cm (24 po), un noir et un blanc. Pour brancher la balise lumineuse en CA :

1. Vérifier que l'alimentation électrique est coupée.
2. Retirer le dôme fileté en le tournant dans le sens inverse des aiguilles d'une montre.
3. Brancher le fil noir sur le côté phase (sous tension) et le blanc sur le côté commun (neutre) de la source d'alimentation en CA.
4. Au besoin, la vis verte du boîtier sert à la mise à la terre (figure 3, page 33). Pour y accéder, retirer le bloc d'alimentation.

5. Fixer le dôme à la base de la lumière.
6. Vérifier si la lumière fonctionne normalement.

Figure 3 Coupe transversale des lumières



Câblage des modèles en CC

Les modèles en CC comportent deux fils de 61 cm (24 po), un noir et un rouge. Pour brancher la balise lumineuse en CC :

1. Vérifier que l'alimentation électrique est coupée.
2. Retirer le dôme fileté en le tournant dans le sens inverse des aiguilles d'une montre.
3. Brancher le fil rouge (+) sur le côté positif de la source d'alimentation et le fil noir (-) sur le côté négatif de la source d'alimentation.
4. Au besoin, la vis verte se trouvant à l'intérieur du boîtier est prévue pour la mise à la terre. Pour y accéder, retirer le bloc d'alimentation.
5. Fixer le dôme à la base de la lumière.
6. Brancher l'alimentation et vérifier si la lumière fonctionne normalement.

Message de sécurité destiné au personnel d'entretien

Les précautions et instructions de sécurité à suivre sont listées ci-dessous :

- Bien lire et comprendre toutes les instructions avant d'utiliser ce système.
- L'entretien du système lumineux doit s'effectuer lorsque l'alimentation est coupée.
- L'entretien doit être exécuté par un électricien formé qui connaît bien les codes nationaux et locaux du pays d'utilisation.
- Ne pas connecter cette lumière au système lorsque ce dernier est sous tension.

- Ne débrancher la lumière que si le circuit est sous tension, ou si vous avez vérifié qu'il n'y a pas de concentrations de produits inflammables dans la zone. Lors du fonctionnement, la lumière doit être hermétiquement fermée.
- Ne jamais modifier cet appareil de quelque façon que ce soit. La sûreté de l'appareil peut être compromise si des composants internes ou le boîtier sont percés ou modifiés.
- La plaque signalétique NE DOIT PAS être masquée, car elle comporte des avertissements et d'autres données importantes pour le personnel d'entretien. Si le boîtier extérieur est peint, veiller à ce que la plaque signalétique reste lisible.
- Si le dôme est abîmé d'une manière ou d'une autre, IL FAUT le remplacer.
- Après avoir effectué l'entretien, tester le système lumineux pour s'assurer du bon fonctionnement de la lumière.

Le non-respect de toutes les précautions et instructions de sécurité peut provoquer des dommages à la propriété, des blessures graves voire la mort.

Dépannage de la lumière

⚠ AVERTISSEMENT

RISQUES D'EXPLOSION — *Pour éviter l'inflammation en cas d'atmosphère dangereuse, débrancher l'appareil du circuit d'alimentation avant de l'ouvrir.*

⚠ AVERTISSEMENT

RISQUES D'EXPLOSION — *Ne débrancher la lumière que si le circuit est sous tension, ou si vous avez vérifié qu'il n'y a pas de concentrations de produits inflammables dans la zone. Lors du fonctionnement, la lumière doit être hermétiquement fermée.*

⚠ AVERTISSEMENT

RISQUES D'EXPLOSION — *Pour que le boîtier reste étanche à la vapeur, éviter d'abîmer le dôme ou les filets lors du démontage ou de l'assemblage de l'appareil. Lorsque les joints filetés lubrifiés restent longtemps exposés, ils peuvent attirer de petites particules de poussière ou d'autres matières. Les joints du boîtier et du couvercle doivent être remontés immédiatement, et les filets vissés jusqu'au bout.*

⚠ AVERTISSEMENT

RISQUE DE CHOC ÉLECTRIQUE— *Des tensions élevées traversent l'appareil. Attendre au moins 5 minutes après avoir coupé le courant avant de dépanner l'appareil.*

Un entretien et une inspection réguliers prolongent la vie du modèle 151XST et favorisent la sécurité. Pour obtenir du service de dépannage, du soutien ou des pièces de rechange, consulter les pages 39 et 40.

Remplacement du tube à éclats

Au fil de l'utilisation de la lumière stroboscopique, le tube à éclats commence à foncer, ce qui affaiblit l'émission lumineuse. Ce noircissement est caractéristique des tubes à éclats. Il débute près de la base du tube pour se poursuivre vers le haut. Parallèlement, lorsque le tube vieillit, son allumage devient défectueux (il ne s'allume pas toujours).

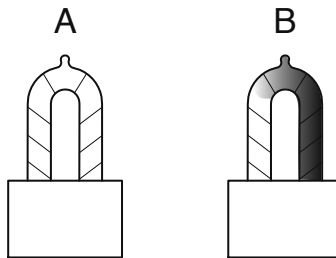
Après une longue utilisation, vérifier l'état du tube. Si l'allumage montre des ratés, si la puissance lumineuse est nettement plus faible, si la lumière luit de manière continue ou devient plus sombre que l'illustration à la figure 4 de la page 37, il faut remplacer le tube.

Pour remplacer le tube à éclats :

1. Couper l'alimentation de la balise lumineuse et attendre au moins 5 minutes que tous les condensateurs se déchargent.

2. Retirer le dôme fileté en le tournant dans le sens inverse des aiguilles d'une montre.
3. Une fois le dôme déposé, tirer doucement sur le tube à éclats pour le déloger du socle. Il sera plus facile d'installer ou de retirer le tube si vous faites un mouvement oscillant.
4. Remplacer le tube à éclats. Vérifier que le tube de rechange est bien rentré dans le socle.
5. Remettre le dôme à sa place. Vérifier qu'il est bien appuyé sur le joint statique.
6. Vérifier si la lumière fonctionne bien.

Figure 4 Tube à éclats normale (A) et foncé (B)



Remplacement de la carte de circuits imprimés

Pour remplacer la carte de circuits imprimés :

1. Couper l'alimentation de la lumière et attendre au moins 5 minutes que tous les condensateurs se déchargent.
2. Retirer le dôme fileté en le tournant dans le sens inverse des aiguilles d'une montre.
3. Retirer et conserver la vis qui fixe la carte au boîtier.
4. Débrancher la carte de circuits imprimés :
 - a) Pour remplacer une carte A1, débrancher les deux fils d'alimentation de l'ancienne carte et les brancher sur

le côté correspondant de l'adaptateur fourni. Connecter l'autre côté de l'adaptateur à la nouvelle carte.

- b) Pour remplacer une carte A2, débrancher le connecteur d'alimentation de l'ancienne carte et le brancher au connecteur de la nouvelle carte.

REMARQUE : Vérifier que le connecteur est bien installé sur les connecteurs de la carte de circuits imprimés.

5. Fixer la nouvelle carte au boîtier à l'aide de la vis démontée à l'étape 2.
6. Installer le nouveau tube à éclats dans le socle. Vérifier qu'il est bien enfoncé.
7. Remettre le dôme à sa place. Vérifier qu'il est bien appuyé sur le joint d'étanchéité.
8. Faire un essai pour vérifier que la lampe fonctionne normalement.

Nettoyage de l'appareil

⚠ AVERTISSEMENT

RISQUES D'EXPLOSION—Ne jamais utiliser une matière ou une lime abrasive pour éliminer des substances corrosives sur les surfaces filetées. En cas de très forte corrosion, il faut inspecter régulièrement l'équipement pour le protéger d'une détérioration anormale et éviter qu'il devienne poreux, ce qui pourrait affaiblir la structure du boîtier.

Il est parfois nécessaire de laver les appareils d'éclairage au jet d'eau pour bien les nettoyer. Dans ce cas, il faut couper le circuit d'alimentation électrique avant de procéder.

Pour conserver une émission lumineuse maximale, il faut nettoyer l'appareil périodiquement. Seuls les produits de

nettoyage doux et non abrasifs sont autorisés. Il faut inspecter régulièrement le dôme de verre à la recherche d'éraflures et d'éclats. S'il est abîmé, IL FAUT le remplacer.

Lubrification du joint fileté

Le joint fileté du couvercle doit toujours rester bien lubrifié à l'aide d'une graisse anticorrosion, comme de la gelée de pétrole ou de l'huile minérale épaissie par un savon. Si le solvant ne suffit pas à retirer la corrosion accumulée sur les joints filetés, il faut jeter les pièces et les remplacer.

Service de réparation ou assistance technique

Les produits renvoyés pour réparation doivent être accompagnés d'un formulaire d'autorisation de renvoi par le distributeur local ou par Federal Signal. Pour l'entretien du produit ou assistance technique par Federal Signal, communiquer avec nous au 708-534-4858 ou 877-289-3246. Pour les manuels d'instructions et d'informations sur les produits connexes, aller à :

<http://www.federsignal-indust.com>

Accessoires et pièces de rechange

⚠️ AVERTISSEMENT

RISQUES D'EXPLOSION – Il se peut qu'un appareil dont les composants ont été remplacés ne convienne plus à l'utilisation de classe I, division 2

Les pièces de rechange courantes sont énumérées au tableau 6, page 40. Pour des raisons de certification, les pièces de certains composants ne peuvent pas être remplacées sur place. Dans ce cas, l'appareil au complet doit être remplacé ou renvoyé à Federal Signal pour y être réparé. Pour commander des accessoires et pièces de rechange, communiquer avec Federal Signal au 708-534-4756 ou 877-289-3246.

Tableau 5 Accessoire

Description	Modèle
Support mural pour endroit dangereux	LHWB*

**Non destiné aux utilisations de classe II, division 1. Répond aux normes NEMA 4X et IP66 lorsqu'utilisé avec les raccords de conduits adaptés.*

Tableau 6 Pièces de rechange

Description	Numéro de pièce
Dôme, Rouge	K8449078
Dôme, ambre	K8449078-01
Dôme, transparent	K8449078-04
Dôme, bleu	K8449078-06
Dôme, vert	K8449078-07
Dôme, Mag enta	K8449078-05
Gasket	K8449080
Joint statique	KR81-05-01
Protecteur de dôme	K8449090
Bloc d'alimentation, 12-24 Vcc	K2001173
Bloc d'alimentation, 120 Vca	K2001071
Bloc d'alimentation, 240 Vca	K2001071-01
Tube à éclats	K149122

Renvoi du produit pour obtention d'un crédit

Les produits renvoyés doivent être accompagnés d'une autorisation de renvoi accordée par le distributeur local avant l'envoi chez Federal Signal. Communiquer avec le distributeur pour obtenir de l'aide.

Un produit peut être renvoyé avec obtention d'un crédit si les conditions suivantes sont remplies :

- Le produit est revendable puis est renvoyé dans son emballage d'origine

- Le produit n'a pas encore été installé
- Le produit est le modèle le plus récent
- Le produit n'a jamais été réparé
- Le produit est un produit standard
- Le produit n'est pas une pièce détachée

Tous les renvois de produits font l'objet de frais de restockage.

Les produits défectueux renvoyés au cours de la période de garantie seront réparés ou remplacés à la seule discrétion de Federal Signal. Les produits dont la lampe est défectueuse ne sont pas considérés comme des produits défectueux.

Toute demande autre que celles citées ci-dessus sera examinée au cas par cas.



Industrial Systems
2645 Federal Signal Drive • University Park, IL 60484-3167
Tel: 708-534-4756 • Fax: 708-534-4852
Email: elp@federalsignal.com • www.federalsignal-indust.com



FEDERAL SIGNAL

Safety and Security Systems / Industrial

Advancing security and well-being.

Modelo 151XST serie luz estroboscópica para uso en condiciones peligrosas



Instrucciones de instalación y mantenimiento

256822J

Rev. J0 913

Impreso en los EE. UU.



Garantía – El vendedor garantiza todas las mercaderías, durante cinco años sobre las piezas y 2 1/2 años sobre la mano de obra, bajo las siguientes condiciones y excepciones: El Vendedor garantiza que todas las mercaderías fabricadas por el Vendedor se ajustan a las descripciones de las mismas para las especificaciones que se consideran expresamente parte integrante de este contrato de venta y en el momento de la venta por el vendedor dichas mercaderías se encontrarán comercialmente libres de defectos en materiales o mano de obra. El Vendedor se reserva el derecho de criterio del Vendedor de "Reparar y devolver" o "Reemplazar" cualquier elemento considerado defectuoso durante el período de garantía. Esta garantía no cubre los gastos de viaje, el costo de equipos especializados para acceder al producto o los cargos de mano de obra para el desmontaje y la reinstalación del producto. Esta garantía quedará sin efecto y no se aplicará a las mercaderías que han sido sometidas a maltrato, negligencia, accidente, daño, mantenimiento inadecuado, o para las mercaderías alteradas o reparadas por alguien que no sea el Vendedor o su representante autorizado, o si han transcurrido cinco años desde la fecha de envío de las mercaderías por el Vendedor con las siguientes excepciones: No están cubiertos por esta garantía las lámparas y los tubos de luz estroboscópica. Las sirenas de alerta de exteriores y los controladores fabricados por Federal Warning Systems están garantizados por dos años sobre las piezas y un año sobre la mano de obra. Ningún agente, empleado, representante o distribuidor del Vendedor tiene autoridad alguna para obligar al Vendedor a cualquier representación, afirmación o garantía alguna respecto de las mercaderías y ninguna representación, afirmación o garantía de ese tenor será considerada parte de los fundamentos del contrato de venta y no será ejecutable. LAS GARANTÍAS ANTERIORES SON EXCLUSIVAS Y EN LUGAR DE TODAS LAS OTRAS GARANTÍAS DE COMERCIALIZACIÓN, APTITUD PARA UN FIN Y DE CUALQUIER OTRO TIPO, YA SEAN EXPRESAS O IMPLÍCITAS. Estas garantías no se aplicarán menos que el Vendedor tenga la oportunidad razonable para investigar todas las reclamaciones de las mercaderías supuestamente defectuosas. Siguiendo instrucciones del Vendedor sólo una muestra de las mercaderías supuestamente defectuosas será devuelta al Vendedor para su inspección y aprobación. El fundamento de todas las reclamaciones por presuntos defectos en las mercaderías que no puedan descubrirse tras una inspección razonable de la misma de conformidad con el párrafo 8 de la presente garantía debe ser explicado completamente por escrito y recibido por el Vendedor dentro de los treinta días después de que el Comprador se entera de que el defecto o la reclamación serán considerados nulos.



Industrial Systems

2645 Federal Signal Drive • University Park, IL 60484-3167

Tel.: 1-708-534-4756 • 1-877-289-3246 • Fax: 1-708-534-4852

www.federal-signal-indust.com • www.fs-isys.com

Contenido

Mensajes de seguridad para los instaladores	47
Descripción general de la serie 151XST	48
Desembalaje de la luz	49
Montaje en tubo de la baliza (151XST)	51
Montaje en superficie de la baliza (151XST-S)	52
Cableado de la baliza	53
Cableado de los modelos de CA.....	54
Cableado de los modelos de CC.....	56
Mensaje de seguridad al personal mantenimiento	56
Tareas de servicio en la baliza	57
Cambio del tubo de parpadeo.....	58
Cambio de la placa de circuito impreso (PCB).....	60
Limpieza del artefacto.....	61
Lubricación de la unión roscada.....	61
Servicio de reparación y asistencia técnica	61
Accesorios y repuestos	62
Cómo devolver el producto para obtener crédito	63

Cuadros

Cuadro 1 Especificaciones	49
Cuadro 2 Voltaje y corriente de funcionamiento	50
Cuadro 3 Velocidad de parpadeo y candelas	50
Cuadro 4 Clasificación de ubicaciones peligrosas	50
Cuadro 5 Accesorio	62
Cuadro 6 Piezas de repuesto	62

Figuras

Figura 1 Baliza montada en tubo..... 52

Figura 2 Baliza montada en superficie 53

Figura 3 Corte transversal de la baliza..... 55

Figura 4 Tubo de parpadeo normal (A) y oscuro (B) 59

Mensajes de seguridad para los instaladores

▲ ADVERTENCIA

Es importante que siga todas las instrucciones enviadas con este producto. Este dispositivo debe ser instalado por un electricista calificado que esté familiarizado con el Código Eléctrico Nacional (NEC) y/o el Código Eléctrico Canadiense (CEC) y siga las normas de los mismos, así como todos los códigos locales. Esta baliza debe ser considerada como parte del sistema de alerta y no el sistema de alerta completo.

La selección del lugar de montaje de la baliza, sus controles y la ruta del cableado se hará bajo la dirección del ingeniero de las instalaciones y del ingeniero de seguridad. Además, a continuación se enumeran algunas otras instrucciones y precauciones de seguridad que debe seguir:

- Lea y comprenda todas las instrucciones antes de instalar u operar esta baliza.
- Nunca modifique la unidad de ninguna manera. Se puede poner en peligro la seguridad en áreas peligrosas si se realizan aberturas adicionales u otras modificaciones a las unidades diseñadas específicamente para su uso en estos lugares.
- No conecte esta luz al sistema cuando está encendido..
- Después de la instalación, asegúrese que el tornillo de fijación esté bien ajustado y que las uniones roscadas estén completamente acopladas.
- Después de la instalación, pruebe el sistema de luz para asegurarse que funciona correctamente.
- Después de completar la prueba, proporcione una copia de esta hoja de instrucciones para todo el personal de operaciones.
- Establezca un procedimiento para verificar la integridad y el funcionamiento adecuado de la instalación de la luz en forma periódica.

Si no se siguen todas las precauciones e instrucciones de seguridad se pueden ocasionar daños a la propiedad, lesiones graves o la muerte.

Descripción general de la serie 151XST

La luz estroboscópica para ubicaciones peligrosas modelo 151XST de Federal Signal produce 80 parpadeos de alta intensidad por minuto. Esta luz de advertencia está disponible en 12-24 VCC, 120 VCA y 240 VCA, 50/60 Hz.

La luz estroboscópica modelo 151XST figura en el listado de UL y cuenta con la certificación CSA para clase I, división 2, grupos A, B, C y D; clase II, división 1, grupos E, F y G; y clase III.

El modelo 151XST cumple con los requisitos de tipo 4X (resistente al agua, resistente al polvo y resistente a la corrosión) y se basa en IP66. Esta luz de advertencia para ubicaciones peligrosas tiene una base de aluminio, recubierta para ofrecer resistencia a la corrosión, y está lista para montarse en un tubo NPT de 3/4 pulgadas.

La protección de la cúpula incluida puede colocarse sobre la cúpula de vidrio para protegerla contra la colisión accidental con equipos móviles, tales como carretillas elevadoras. También se ofrece un soporte opcional para pared.

El 151XST tiene una candela efectiva (ECP, por su sigla en inglés) de 165 y una candela pico de 520 000. Está disponible en seis colores de cúpula, que incluyen ámbar, azul, transparente, verde y rojo (magenta a pedido).

La resistente luz de advertencia estroboscópica 151XST de Federal Signal está específicamente diseñada para ubicaciones peligrosas o ambientes corrosivos donde se requiere una señal visual muy brillante. Esta luz de advertencia puede usarse para la evaluación de plantas u otras necesidades de comunicación.

Hay modelos disponibles para montaje en tubo (151XST) o montaje en superficie (151XST-S).

NOTA: El modelo 151XST puede montarse en un soporte modelo LHWB de Federal Signal. Si se instala de esta forma, el uso adecuado de todo el dispositivo ensamblado se limita a ubicaciones de clase I, div. 2, grupos A, B, C y D; clase II, div. 2, grupos F y G; clase III.

Desembalaje de la luz

▲ ADVERTENCIA

RIESGO DE EXPLOSIONES: *Las cúpulas dañadas pueden ocasionar explosiones que podrían dar como resultado lesiones graves o incluso la muerte. Cúpulas dañadas DEBE ser reemplazado.*

Después de desembalar la baliza, examínela para verificar daños que puedan haber ocurrido durante el transporte. Si la baliza se ha dañado, no intente instalarla o hacerla funcionar. Presente una reclamación inmediatamente con el transportista e indique la magnitud de los daños. Revise cuidadosamente todos los sobres, etiquetas de envío y otro tipo de etiquetas antes de quitar o deshacerse de las mismas. La eliminación de todos los materiales de envío debe llevarse a cabo de acuerdo con los códigos y las normas nacionales y locales. Si falta alguna pieza, llame al Servicio al cliente de Federal Signal al 708-534-4756 o 877-289-3246.

Cuadro 1 Especificaciones

Vida útil de la lámpara:	10 000 horas
Fuente de luz:	Tubo estroboscópico
Temperatura operativa:	-67 °F to 150 °F (-55 °C to 65.6 °C)
Peso neto:	3,8 lb (1.7 kg)
Peso de envío:	4,5 lb (2,0 kg)
Altura:	9,25 in (234,95 mm)
Diámetro:	5,5 in (139,7 mm)

Cuadro 2 Voltaje y corriente de funcionamiento

Model	Voltaje	Corriente de funcionamiento:
151XST(-S) 012-024__	12-24 VCC	1,3 A a 0,60 A
151XST(-S)-120__	120 VCA, 50/60 Hz	0,35 A
151XST(-S)-240__	240 VCA, 50/60 Hz	0,16 A

__ Indica el color: (A) ámbar, (B) azul, (C) transparente, (G) verde, (M) magenta o (R) rojo.

Cuadro 3 Velocidad de parpadeo y candelas

Modelo	Índice de destellos por minuto	Candela	
		Pico ¹	ECP ² (Candela Efectiva)
151XST(-S) 012-024__	80	520 000	165
151XST(-S)-120__	80	520 000	165
151XST(-S)-240__	80	520 000	165

__ Indica el color: (A) ámbar, (B) azul, (C) transparente, (G) verde, (M) magenta o (R) rojo.

¹La candela pico es la intensidad máxima de la luz generada por una luz parpadeante durante su fase luminosa.

²ECP (candela efectiva) es la intensidad que aparecería ante un observador si la luz se mantuviera encendida permanentemente

Cuadro 4 Clasificación de ubicaciones peligrosas

Código de temperatura a temperatura máxima, °C	
Ubicación peligrosa	66 °C
Clase I, div 2, grupos A, B, C & D	T1/301°
Clase II, div 1, grupos E, F & G	T5/100°
Clase III	T5/100°

Para disminuir el riesgo de incendio o de explosiones, no lo instale la baliza en una ubicación peligrosa si la temperatura de funcionamiento excede la temperatura de ignición de atmósferas peligrosas.

Antes de continuar, usa el Cuadro 4 anterior como guía y determine que la temperatura de funcionamiento de la unidad NO exceda la temperatura de ignición de atmósferas peligrosas.

Para aplicaciones marinas, todo el cableado, incluido el cableado de alimentación, debe ser de cable trenzado y debe cumplir con los requisitos de la USCG (CFR46), Secciones (110-113.)

NOTA: En ambientes de mucha humedad, cuando las unidades se montan con la cúpula hacia abajo, puede producirse condensación en el sistema de conductos. Use sellos/drenajes de conductos de la clasificación correcta para impedir que la humedad ingrese en el artefacto.

Montaje en tubo de la baliza (151XST)

⚠ ADVERTENCIA

RIESGO DE EXPLOSIONES: Para disminuir el riesgo de incendio o de explosiones, no instale la baliza en una ubicación peligrosa si la temperatura de funcionamiento excede la temperatura de ignición de atmósferas peligrosas. Antes de continuar, consulte la placa de identificación del producto y determine la temperatura de funcionamiento de la baliza.

NOTA: Para cumplir con la Sección 300-14 del NEC que requiere un mínimo de 6 pulgadas de conductor libre en las conexiones, cuando se monte el modelo 151XST, el tubo de montaje usado para unir la unidad a una caja de empalme no debe tener más de 10 pulgadas.

El modelo 151XST puede montarse en un tubo de 3/4" y en cualquier posición.

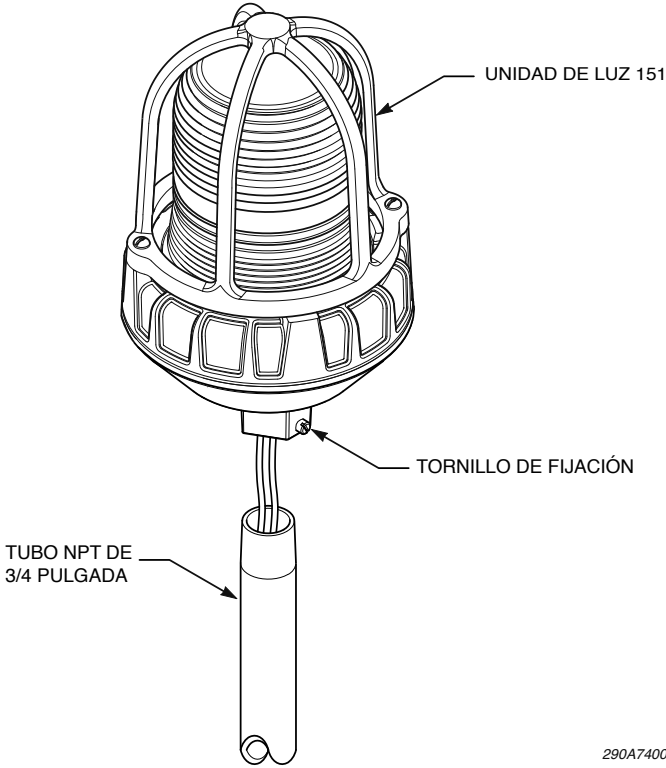
1. Antes de montar la baliza, asegúrese de que las roscas de acoplamiento estén limpias.
2. Para prevenir el ingreso de agua y de polvo, aplique sellador conductivo en las roscas de los conductos antes del montaje. Si se usa sellador no conductivo, el gabinete debe conectarse a tierra con el cable de conexión a tierra interno/tornillo de conexión a tierra provistos para garantizar una continuidad

Instrucciones de instalación y mantenimiento

correcta de la conexión a tierra (Figura 3 en la página 55).

3. Consulte la Figura 1. Enrosque el artefacto en el tubo de 3/4 pulgada y sujételo con el tornillo de fijación.

Figura 1 Baliza montada en tubo

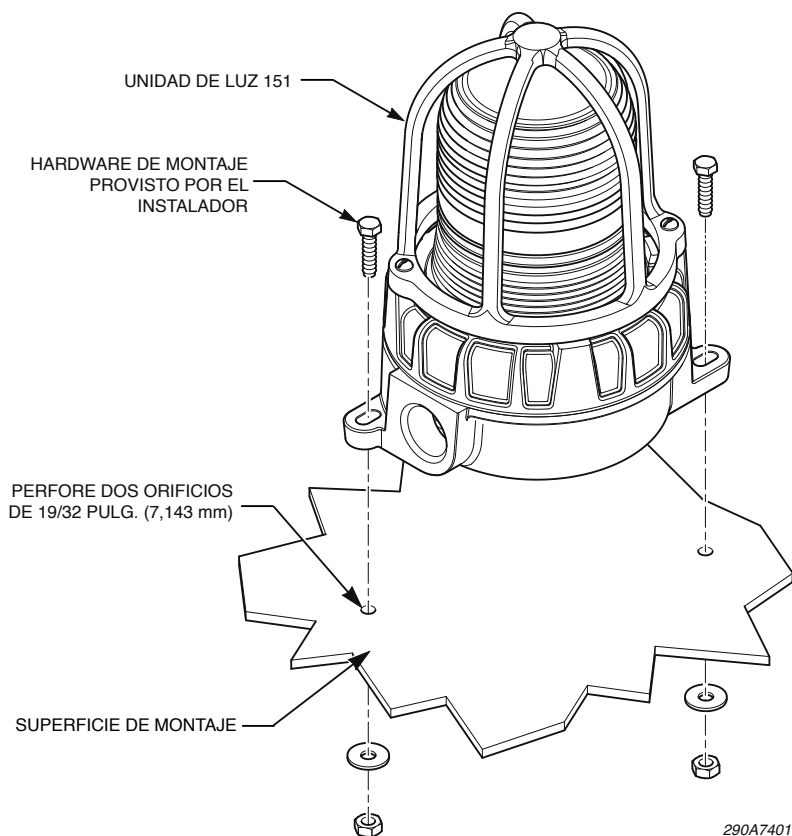


Montaje en superficie de la baliza (151XST-S)

Para montar la baliza en superficie:

1. Consulte la Figura 2. Use la base de montaje como plantilla para marcar la ubicación de los dos orificios de montaje.
2. Perfore un orificio de 9/32 pulgada (7,143 mm) en cada marca.
3. Sujete la baliza a la superficie de montaje con el equipo provisto por el instalador.

Figura 2 Baliza montada en superficie



Cableado de la baliza

La baliza LED modelo 151XST debe instalarse según el NEC o el CEC, y los CÓDIGOS ESTATALES y LOCALES. La elección de sitios u orientaciones de instalación alternativa solo debe realizarse con la aprobación de la autoridad competente. Asimismo, la unidad puede montarse usando un montaje para techo opcional o un montaje para pared opcional.

NOTA: Las unidades estroboscópicas de 120 VCA o 230-240 VCA están diseñadas para funcionar con corriente eléctrica de 50 Hz y 60 Hz. NO se requieren modificaciones especiales para las dos frecuencias diferentes de la línea de CA.

⚠️ ADVERTENCIA

RIESGO DE DESCARGA ELÉCTRICA: Para evitar riesgos de descarga eléctrica, no conecte los cables mientras se recibe corriente.

⚠️ ADVERTENCIA

RIESGO DE EXPLOSIONES: No desconecte la baliza mientras haya tensión en el circuito o a menos que se sepa que el área está exenta de concentraciones inflamables. Mantenga la baliza bien cerrada mientras se encuentra en funcionamiento.

AVISO

POLARIDAD INVERSA/CABLEADO INCORRECTO: El 151XST no es sensible a la polaridad, pero PUEDE VERSE DAÑADO por una conexión eléctrica incorrecta. Se producirán daños si se excede la clasificación de voltaje del modelo en particular.

NOTA: El cableado debe cumplir con el Código Eléctrico Nacional o el Código Eléctrico Canadiense y con la autoridad local competente.

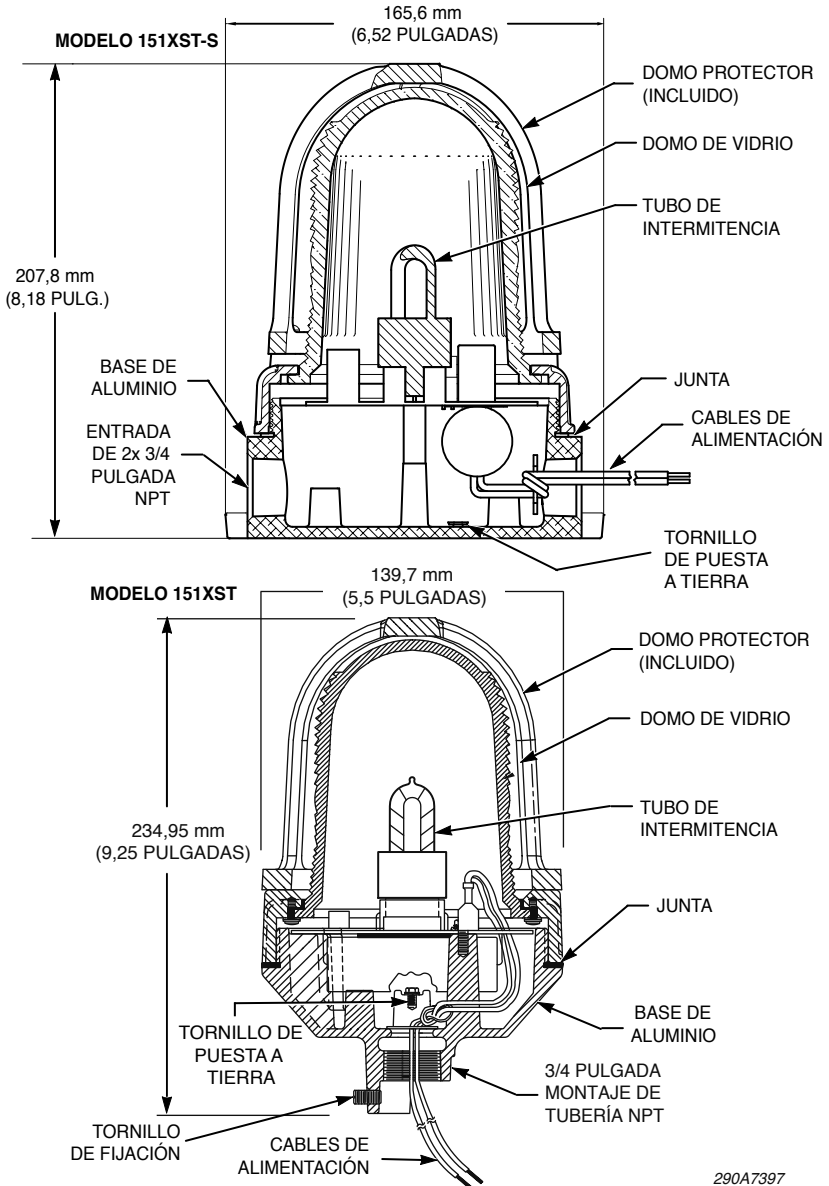
Cableado de los modelos de CA

Los modelos de CA tienen dos cables de 24 pulgadas: uno negro y otro blanco. Para conectar la baliza de CA:

1. Verifique que la corriente esté desconectada.
2. Retire la unidad de la cúpula roscada girándola en sentido contrario a las agujas del reloj.
3. Conecte el cable negro al lado de la fase (caliente) de la fuente de alimentación y el cable blanco al lado común (neutro) de la fuente de alimentación de CA.
4. De ser necesario, se incluye el tornillo verde de la carcasa para la conexión a tierra (Figura 3). Para obtener acceso al tornillo, retire la unidad de la fuente de alimentación.
5. Sujete la cúpula a la base de la baliza.

6. Conecte la energía a la baliza y pruebe si funciona en forma correcta.

Figura 3 Corte transversal de las balizas



290A7397

Cableado de los modelos de CC

Las unidades de CC tienen dos cables de 24 pulgadas: uno negro y otro rojo. Para conectar la baliza de CC:

1. Verifique que la corriente esté desconectada.
2. Retire la unidad de la cúpula roscada girándola en sentido contrario a las agujas del reloj.
3. Conecte el cable rojo (+) al lado positivo de la fuente de alimentación y el cable negro (-) al lado negativo de la fuente de alimentación.
4. De ser necesario, se incluye el tornillo verde de la carcasa para la conexión a tierra. Para obtener acceso al tornillo, retire la unidad de la fuente de alimentación.
5. Sujete la cúpula a la base de la baliza.
6. Conecte la energía a la baliza y pruebe si funciona en forma correcta.

Mensaje de seguridad al personal mantenimiento

A continuación, se incluyen algunas precauciones e instrucciones de seguridad importantes que usted debe seguir:

- Lea atentamente todas las instrucciones antes de poner en funcionamiento este sistema.
- Todo mantenimiento del sistema de luces debe realizarse con la unidad apagada.
- Todo mantenimiento del sistema de luces debe ser realizado por un técnico electricista que conozca en detalle todos los códigos nacionales y locales vigentes en el país de uso.
- No conecte esta baliza al sistema cuando esté encendido.
- No desconecte la baliza mientras haya tensión en el circuito o a menos que se sepa que el área está exenta de concentraciones inflamables. Mantenga la baliza bien cerrada mientras se encuentra en funcionamiento.

- No altere nunca la unidad de ninguna forma. La seguridad de la unidad puede verse afectada en el caso de aberturas adicionales u otras alteraciones en los componentes internos o en la carcasa.
- La placa de identificación NO debe quedar oculta, ya que contiene precauciones u otra información de importancia para el personal de mantenimiento. Asegúrese de que la placa de identificación permanezca legible si se pinta el exterior de la carcasa.
- Si la cúpula se daña de alguna manera, DEBE cambiarse.
- Después de realizar tareas de mantenimiento, pruebe el sistema de luces para asegurarse de que funcione correctamente.

Si no se siguen todas estas precauciones e instrucciones de seguridad, pueden producirse daños materiales, lesiones graves o incluso la muerte.

Tareas de servicio en la baliza

⚠️ ADVERTENCIA

RIESGO DE EXPLOSIONES: Para prevenir la ignición de atmósferas peligrosas, desconecte el artefacto del circuito de alimentación antes de abrirlo.

⚠️ ADVERTENCIA

RIESGO DE EXPLOSIONES: No desconecte la baliza mientras haya tensión en el circuito o a menos que se sepa que el área está exenta de concentraciones inflamables. Mantenga la baliza bien cerrada mientras se encuentra en funcionamiento.

⚠️ ADVERTENCIA

RIESGO DE EXPLOSIONES: Para mantener el gabinete impermeable al vapor, no dañe la bombilla ni las roscas mientras desmonta o vuelve a montar la unidad. Las uniones roscadas lubricadas expuestas por períodos prolongados pueden atraer pequeñas partículas de polvo u otros materiales extraños. La carcasa y las uniones de la cubierta

deben volver a ensamblarse de inmediato con todas las roscas totalmente acopladas.

⚠ ADVERTENCIA

RIESGO DE DESCARGA ELÉCTRICA: Existen altos voltajes dentro de la unidad de luz. Antes de realizar tareas de servicio en la unidad, espere al menos cinco minutos después de desconectar la corriente eléctrica.

Establecer un programa de mantenimiento e inspección regular extiende la vida útil del modelo 151XST y garantiza la seguridad. Para obtener información sobre el servicio, la asistencia o las piezas de repuesto, consulte las páginas 61 y 62.

Cambio del tubo de parpadeo

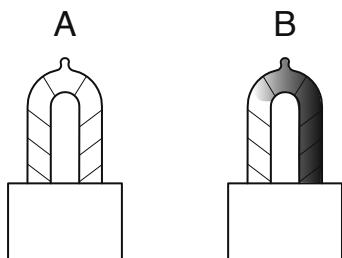
Cuando se usan las luces estroboscópicas, los tubos de parpadeo comienzan a oscurecerse y reducen la salida de luz. Este oscurecimiento es característico de los tubos de parpadeo. El oscurecimiento comenzará cerca de la base del tubo y progresará hacia arriba. Asimismo, cuando envejecen los tubos de parpadeo, pueden tener una tendencia a fallar en el encendido (no encenderse periódicamente).

Después de un funcionamiento prolongado, compruebe ocasionalmente el tubo de parpadeo para detectar cualquier degradación. Si el tubo de parpadeo se enciende incorrectamente, tiene una reducción observable en la salida de luz, brilla de forma continua o se oscurece en un punto más allá del indicado en la Figura 4 de la página 59, debe cambiarse.

Para cambiar el tubo de parpadeo:

1. Desconecte la corriente eléctrica de la baliza y espere al menos cinco minutos para permitir que todos los capacitores se descarguen.
2. Retire la unidad de la cúpula roscada girándola en sentido contrario a las agujas del reloj.
3. Con la cúpula retirada, tire suavemente del tubo de parpadeo desde su enchufe. Un movimiento oscilante resulta de gran utilidad cuando se instala o extrae el tubo.
4. Cambie el tubo de parpadeo. Asegúrese de que el tubo de reemplazo encaje completamente en el enchufe.
5. Cambie la unidad de la bombilla. Asegúrese de que la unidad de la bombilla se ajuste firmemente contra la junta.
6. Pruebe la baliza para comprobar el funcionamiento correcto.

Figura 4 Tubo de parpadeo normal (A) y oscuro (B)



290A7398

Cambio de la placa de circuito impreso (PCB)

Para cambiar la PCB:

1. Desconecte la corriente eléctrica de la baliza y espere al menos cinco minutos para permitir que todos los capacitores se descarguen.
2. Retire la unidad de la cúpula roscada girándola en sentido contrario a las agujas del reloj.
3. Retire y conserve el tornillo que sujeta la placa de circuito a la carcasa.
4. Desconecte la corriente eléctrica de la PCB:
 - a) Para cambiar una PCB serie A1, desconecte los dos cables de alimentación de la placa de circuito anterior y conéctelos en el lado correspondiente de la unidad del adaptador provista. Conecte el otro lado de la unidad del adaptador en la nueva placa de circuito.
 - b) Para cambiar una placa de circuito serie A2, desconecte el conector de corriente de la placa de circuito anterior y conéctelo al conector en la nueva placa de circuito.

NOTA: Asegúrese de que el conector encaje completamente en los conectores de la placa de circuito.

5. Sujete la nueva placa de circuito a la carcasa con el tornillo retirado en el paso 2.
6. Instale el nuevo tubo de parpadeo en el enchufe. Asegúrese de que el tubo de parpadeo encaje completamente en el enchufe.
7. Cambie la unidad de la bombilla. Asegúrese de que la unidad de la bombilla se ajuste firmemente contra la junta.
8. Pruebe la luz para comprobar el funcionamiento correcto.

Limpieza del artefacto

⚠ ADVERTENCIA

RIESGO DE EXPLOSIONES: Nunca use un material abrasivo ni una lima para retirar materiales corrosivos de las superficies roscadas. En ubicaciones sumamente corrosivas, deben inspeccionarse periódicamente los equipos para protegerlos contra el deterioro inusual y la posible porosidad, ya que estos factores pueden debilitar la estructura del gabinete.

En ocasiones, los procedimientos de mantenimiento requieren que los artefactos se limpien con una manguera para lograr buenos resultados. El circuito debe apagarse antes de limpiar el artefacto con una manguera.

El artefacto debe limpiarse periódicamente para mantener una salida de luz máxima. Solo deben usarse agentes de limpieza neutros, no abrasivos. La bombilla de vidrio debe inspeccionarse periódicamente para detectar rayones e impactos y, si está dañada, debe cambiarse.

Lubricación de la unión roscada

La unión roscada de la cubierta debe mantenerse bien lubricada con una grasa que inhiba la corrosión, como aceite mineral de petrolato o espesado con jabón. Si se acumularon materiales corrosivos en las uniones roscadas y no pueden retirarse con solventes, es preciso desechar y cambiar las piezas.

Servicio de reparación y asistencia técnica

Los productos devueltos para su reparación requieren un Formulario de autorización de devolución de su distribuidor o de Federal Signal. Para obtener el servicio de reparación o asistencia técnica de Federal Signal, llame al 708-534-4756 o 877-289-3246. Para obtener manuales de instrucciones e información sobre los productos relacionados, visite <http://www.federsignal-indust.com>.

Accesorios y repuestos

▲ ADVERTENCIA

PELIGRO DE EXPLOSIÓN—La sustitución de componentes puede afectar la idoneidad para la Clase I, División 2.

Los repuestos típicos se encuentran enumerados en la Cuadro 6. Debido a la certificación, ciertas piezas no están disponibles para su reemplazo en el campo. Las unidades con este tipo de daños deberán reemplazarse en su totalidad o devolverse a Federal Signal para el servicio de reparaciones. Para pedir accesorios y repuestos, llame a Federal Signal al 708-534-4756 o 877-289-3246.

Cuadro 5 Accesorio

Descripción	Modelo
Soporte de montaje para pared para ubicaciones peligrosas	LHWB*

**No puede usarse en aplicaciones de clase II, división 1. Cuenta con clasificación NEMA 4X e IP66 cuando se usa con los accesorios de conductos apropiados.*

Cuadro 6 Piezas de repuesto

Descripción	Número de pieza
Unidad de la cúpula, Rojo	K8449078
Unidad de la cúpula, Ámbar	K8449078-01
Unidad de la cúpula, Transparente	K8449078-04
Unidad de la cúpula, Azul	K8449078-06
Unidad de la cúpula, Verde	K8449078-07
Unidad de la cúpula, Magenta	K8449078-05
Junta	K8449080
Grasa, pomo de 8 onzas	KR81-05-01
Protector del domo	K8449090
Conj. de suministro de energía, 12-24 VCC	K2001173
Conj. de suministro de energía, 120 VCA	K2001071
Conj. de suministro de energía, 240 VCA	K2001071-01
Tubo de parpadeo	K149122

Cómo devolver el producto para obtener crédito

Las devoluciones de productos para obtener crédito requieren una autorización de devolución de su distribuidor local antes de devolver el producto a Federal Signal. Póngase en contacto con su distribuidor para obtener ayuda.

Un producto está calificado para ser devuelto para obtener un crédito cuando se cumplen los siguientes requisitos:

- El producto está en su empaque original y se puede revender
- El producto no se ha instalado anteriormente
- El producto es la versión actual
- El producto no se ha reparado anteriormente
- El producto es un producto estándar
- El producto no es una pieza de reparación

Todas las devoluciones están sujetas a una tasa de manejo de existencias.

Los productos defectuosos que son devueltos en el plazo de garantía serán reparados o reemplazados a criterio de Federal Signal. Los productos defectuosos no incluyen aquellos productos con fallas en la lámpara.

Otras circunstancias que no hayan sido enumeradas anteriormente se tratarán de acuerdo a cada caso.



FEDERAL SIGNAL

Safety and Security Systems / Industrial

Industrial Systems

2645 Federal Signal Drive • University Park, IL 60484-3167

Tel: 708-534-4756 • Fax: 708-534-4852

Email: elp@federalsignal.com • www.federalsignal-indust.com