

FEATURES

- Solenoid valves satisfy all relevant EC directives
- The solenoid valves are recommended for pilot applications with high flow, wide pressure ranges and no minimum operating pressure
- Spade plug connector version (standard coil or low power) or with the increased safety/epoxy encapsulation operator, intended for use in potentially explosive atmospheres, according to Directive ATEX 94/9/EC. European Standards EN50014, EN50019 and EN50028

GENERAL

Differential pressure 0 - 10 bar [1 bar = 100kPa]
Maximum viscosity 65 cSt (mm²/s)
Response times 75 - 100 ms

fluids (*)	temperature ranges (TS)	sealings (*)
air, inert gas, water, oil	-20°C to +80°C	NBR (nitrile / buna-n)
air, inert gas, water, oil	-20°C to +120°C	FPM (fluorelastomer / viton)
air, inert gas	-40°C to +40°C	VMQ (silicone)



MATERIALS IN CONTACT WITH FLUID

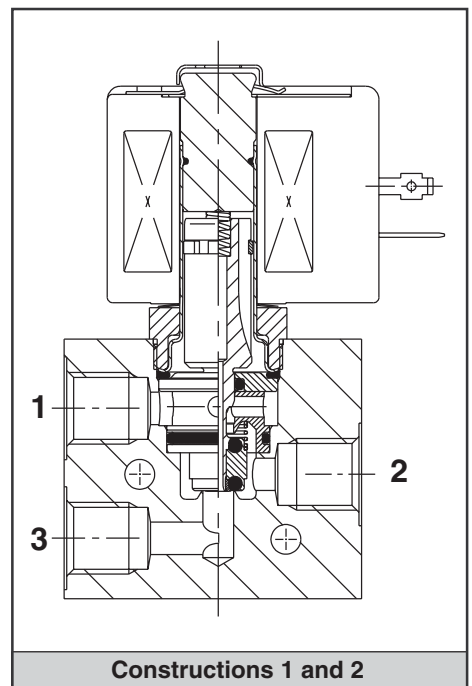
(*) Ensure that the compatibility of the fluids in contact with the materials is verified

Body Brass or stainless steel (AISI 316 SS)
Stem, core tube, springs Stainless steel
Core and plugnut Stainless steel
Sealings & poppets NBR, VMQ or FPM
Riderring PTFE (teflon)

ELECTRICAL CHARACTERISTICS

Coil insulation class F
Coil connector IP65 execution EEx em execution
Connector Spades Screw terminals
Connector Spade plug (Pg 11P) -
Connector specification ISO 4400 -
Electrical safety IEC 335 Ex II 2 G, CENELEC
Standard voltages (U±10%) DC (=) : 24V
(Other voltages and 60 Hz on request) AC (-) CMXX-FT / SMXX-FT: 24V-115V-230V/50Hz
CM12-F / SM12-F: 24V-115V (max.)/50Hz

coil type	power ratings				ambient temperature ranges (TS) (°C)	protection
	inrush (C) (VA)	holding (VA)	hot/cold = (W)			
Connector IP65 execution						
CMXX-FT 1	10	10	10	9 / 11,2	-40 to +55	moulded IP65
CM12-F (1) 2	3,7	3,7	3,7	3,5 / 3,6	-40 to +55	moulded IP65
EEx em execution						
SMXX-FT 3	10	10	10	9 / 11,2	-40 to +40	EEx em II T3
SM12-F (1) 4	3,7	3,7	3,7	3,5 / 3,6	-40 to +40/55	EEx em II T6/T5



SPECIFICATIONS

pipe size	orifice size	flow coefficient Kv port				operating pressure differential (bar)				execution	coil type	(C)	catalogue number	OPTIONAL				
		1→2		2→3		min.	maximum (PS)		FPM					EPDM	CR	PTFE		
		(m ³ /h)	(l/min)	(m ³ /h)	(l/min)		water (*)	air (*)										
U - Universal, brass body, NBR sealings and poppets																		
1/4	5,7	0,43	0,49	7,17	8,17	0	10	10	10	10	IP65	1	SC G327A001	V				
													2	SC G327A101	V			
													3	EM G327A001	V			
													4	EM G327A101	V			
U - Universal, stainless steel body, FPM sealings and poppets																		
1/4	5,7	0,43	0,49	7,17	8,17	0	10	10	10	10	IP65	1	SC G327A002					
													2	SC G327A102				
													3	WSEM G327A002				
													4	WSEM G327A102				
U - Universal, brass body, VMQ sealings and poppets (low temperature)																		
1/4	5,7	0,43	0,49	7,17	8,17	0	10	10	10	10	IP65	1	SC G327A011					
													2	SC G327A111				
													3	EM G327A011				
													4	EM G327A111				
U - Universal, stainless steel body, VMQ sealings and poppets (low temperature)																		
1/4	5,7	0,43	0,49	7,17	8,17	0	10	10	10	10	IP65	1	SC G327A012					
													2	SC G327A112				
													3	WSEM G327A012				
													4	WSEM G327A112				

(C) Construction type (1) Reduced power coil

The codes in the grey shaded areas correspond to commonly used products which can be supplied rapidly

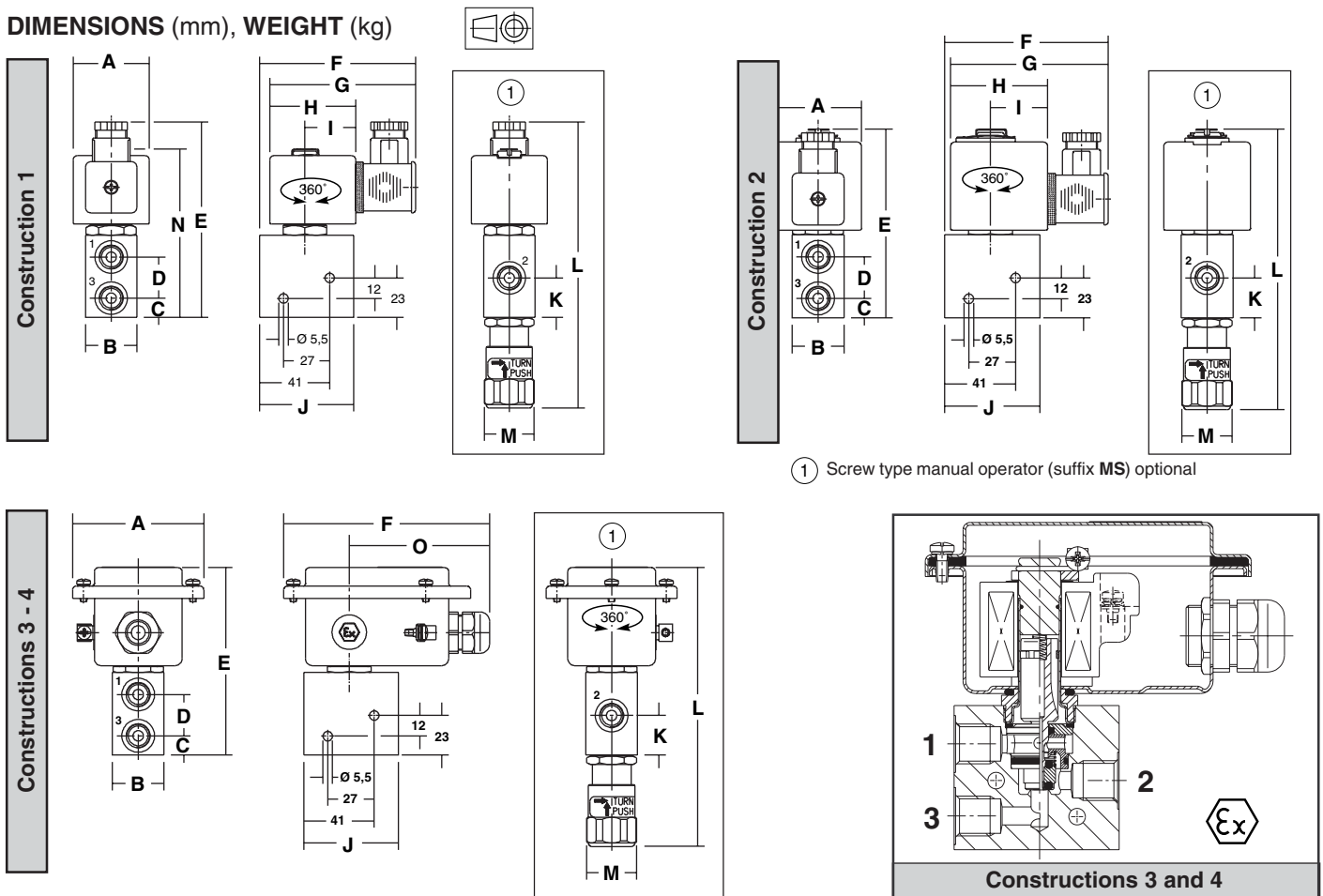
OPTIONS

- Waterproof enclosure with embedded screw terminal coil and Pg 13,5 cable gland to meet CEE 10 (IP67)
- Explosionproof enclosures for hazardous locations according to "CENELEC" and national standards (see section 10)
- EEx **em** execution: cable gland, conduit hub, stainless steel nameplate, other rectification mode (see V1047 Section 10)
- Explosionproof and watertight enclosures according to "NEMA" standards (see section 10)
- Compliance with "UL" standards
- Plug with visual indication and with peak voltage suppression or with cable length of 2m (see section 11)
- Manual operator (suffix **MS**)

INSTALLATION

- The solenoid valves can be mounted in any position without affecting operation
- Mounting holes are provided in the valve body
- EEx **em** execution: solenoid enclosure has a cable gland with integral strain relief for cables with an o.d. from 6 to 12 mm and is provided with an internal and external connection facility for an earthing or bonding conductor
- Threaded pipe connection is standard: G = G (ISO 228/1)
- The third/fifth digit in the catalogue number indicates the standard pipe connection
- Other pipe threads are available on request
- Installation/maintenance instructions are included with each valve
- Spare Parts Kit and replacement coils are available (see section 11)

DIMENSIONS (mm), WEIGHT (kg)



catalogue number	A	B	C	D	E	F	G	H	I	J	K	L	M	N	O	(C)	weight
SC G327A001, 011 SC G327A002, 012	45	30	11	24	114	91	80	50	30	55	23	167	29	90	-	1	0,95 (1)
SC G327A101, 111 SC G327A102, 112	50	30	11	24	109	95	87	56	33	55	23	162	29	-	-	2	1,05 (1)
EM G327A001, 011 WSEM G327A002, 012	77	30	11	24	109	120	-	-	-	55	23	162	29	-	81	3	1,00 (2)
EM G327A101, 111 WSEM G327A102, 112	77	30	11	24	112	120	-	-	-	55	23	165	29	-	81	4	1,10 (2)

(C) Construction type
 (1) Incl. coil and connector
 (2) Incl. coil

All leaflets are available on: www.ascojoucomatic.com