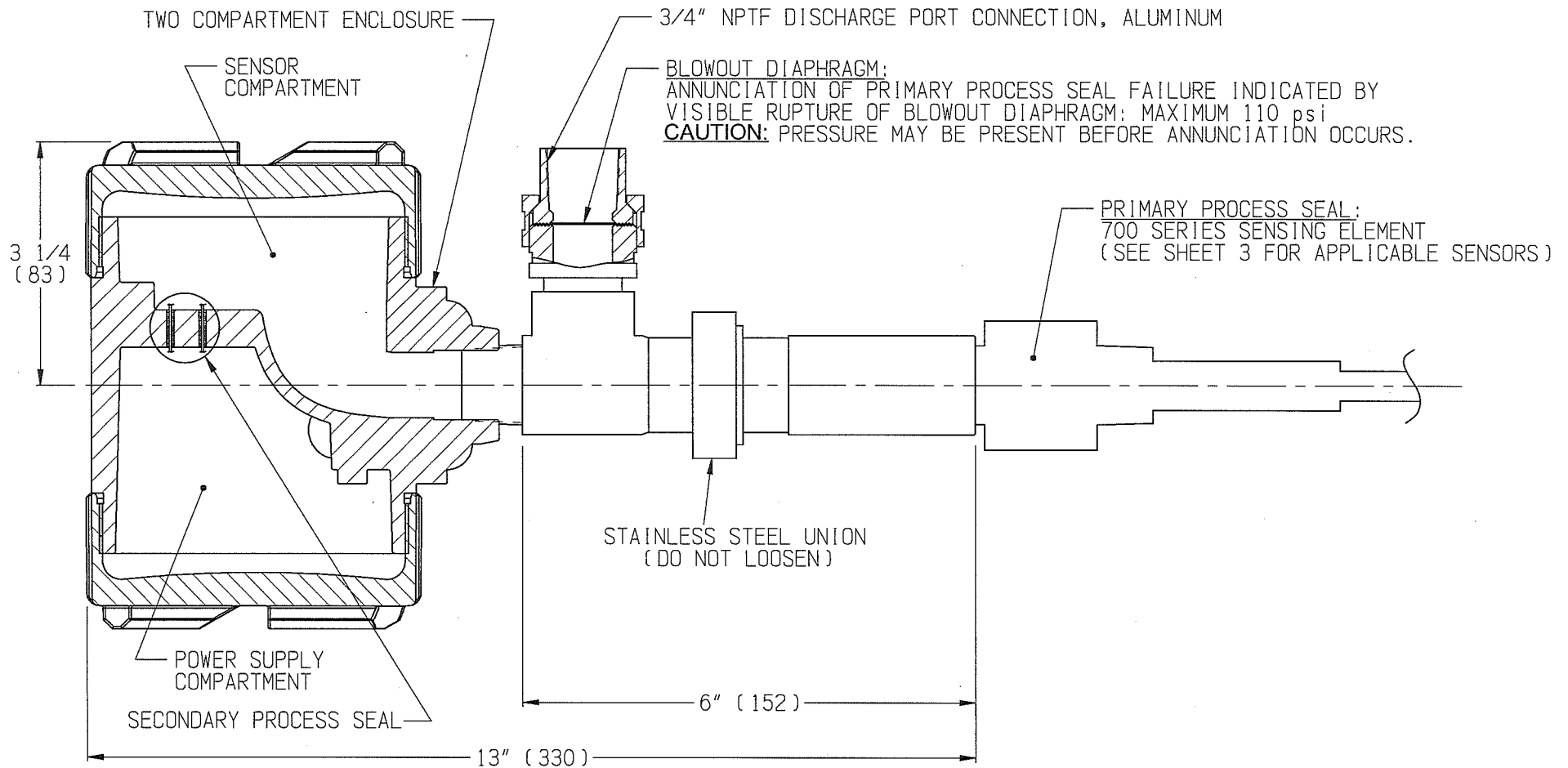


285-0003-01X DUAL SEAL CONFIGURATION FOR TWO COMPARTMENT ENCLOSURE



NOTES:

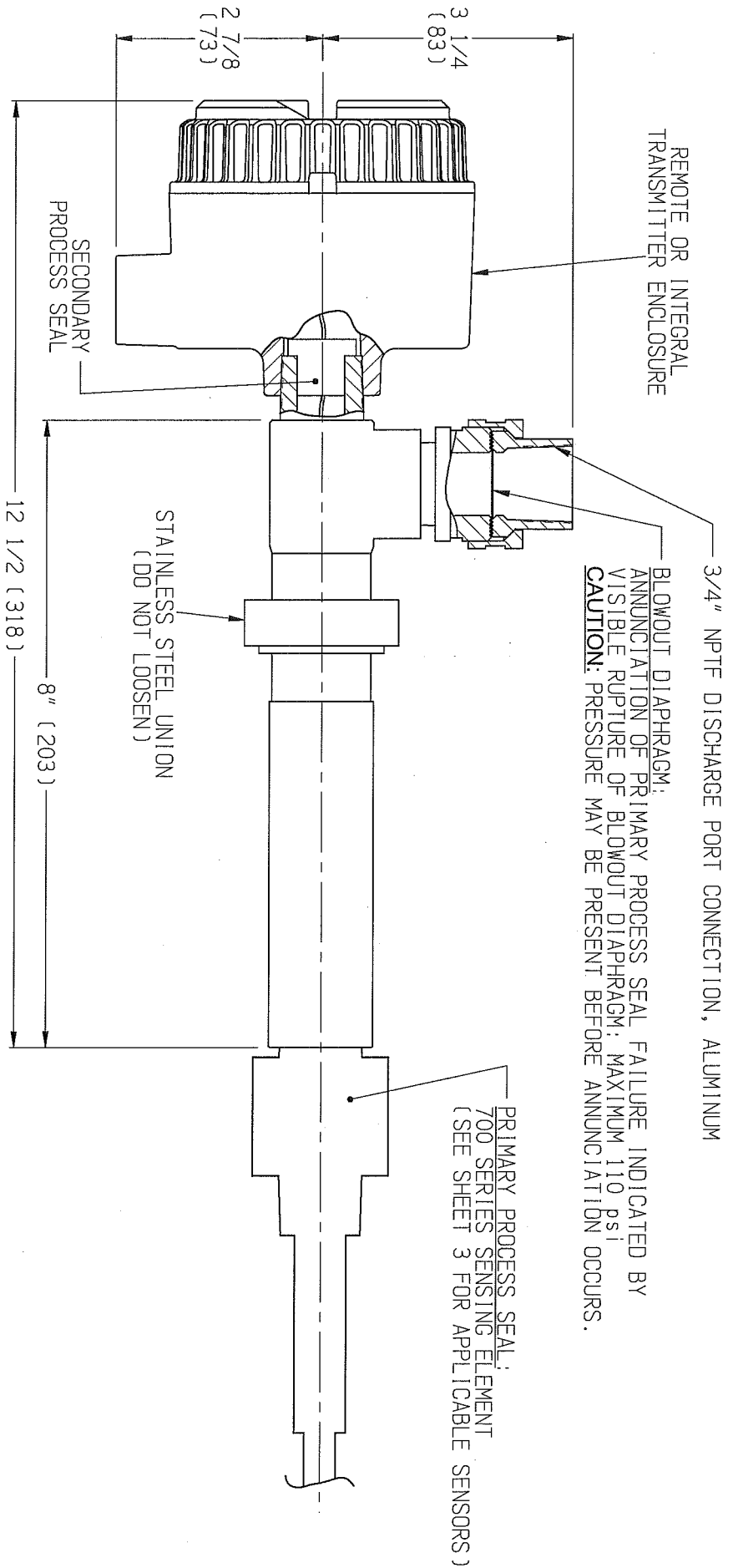
- ANSI / ISA 12.27.01-2003 FM CERTIFIED "DUAL SEAL" WHEN USED WITH AMETEK DREXELBROOK 700 SERIES SENSING ELEMENTS
- SEE SHEET 3 FOR 700 SERIES PRIMARY SEAL PROCESS WETTED MATERIALS.
- REFER TO SENSING ELEMENT TAG FOR PROCESS TEMPERATURE AND PRESSURE RATINGS.

CERTIFIED	by _____				COPYRIGHT 2008		CONTROL DRAWING, DUAL SEAL ASSEMBLY FOR USE WITH 700 SERIES SENSING ELEMENTS
PO #	_____				AMETEK DREXELBROOK		
ENG	_____				SCALE NONE		
USER	_____				UNLESS OTHERWISE STATED ALL DIMENSIONS IN INCHES (MM)		
		1	4-08-106	<i>JJS 9-3-08</i>	DR. JJS 9-3-08		
DE #	_____	ISS	EDD/DSR NO.	APP' D	DATE	CK <i>JJS 9-3-08</i>	205 KEITH VALLEY RD HORSHAM, PA 19044-9986
							215-674-1234 FAX 215-674-2731
							285-0003-0XX-CD
							SHT. 1 OF 3
							ISS. 1
							OF 3 1

NO. 285-0003-0XX-CD

SHT 1 OF 3

285-0003-02X DUAL SEAL CONFIGURATION FOR SINGLE COMPARTMENT ENCLOSURE



3/4" NPTF DISCHARGE PORT CONNECTION, ALUMINUM

BLOWOUT DIAPHRAGM:
ANNUNCIATION OF PRIMARY PROCESS SEAL FAILURE INDICATED BY
VISIBLE RUPTURE OF BLOWOUT DIAPHRAGM; MAXIMUM 110 PSI
CAUTION: PRESSURE MAY BE PRESENT BEFORE ANNUNCIATION OCCURS.

PRIMARY PROCESS SEAL:
700 SERIES SENSING ELEMENT
(SEE SHEET 3 FOR APPLICABLE SENSORS)

- NOTES:
1. ANSI / ISA 12.27.01-2003 FM CERTIFIED "DUAL SEAL" WHEN USED WITH AMETEK DREXELBROOK 700 SERIES SENSING ELEMENTS
 2. SEE SHEET 3 FOR 700 SERIES PRIMARY SEAL PROCESS WETTED MATERIALS.
 3. REFER TO SENSING ELEMENT TAG FOR PROCESS TEMPERATURE AND PRESSURE RATINGS.

CERTIFIED		by _____	
PO #	_____	_____	_____
ENG	_____	_____	_____
USER	_____	_____	_____
DE #	1	4-08-106	_____
ISS	EDD/DSR NO	APP'D	DATE
_____	_____	_____	9-10-08
_____	_____	_____	DR. JUS 9-3-08
_____	_____	_____	CK _____

COPYRIGHT 2008
AMETEK DREXELBROOK
SCALE NONE
UNLESS OTHERWISE STATED
ALL DIMENSIONS IN INCHES (MM)

AMETEK
DREXELBROOK

205 KEITH VALLEY RD
HORSHAM, PA 19044-9966

215-674-1234
FAX 215-674-2731

CONTROL DRAWING,
DUAL SEAL ASSEMBLY
FOR USE WITH
700 SERIES SENSING ELEMENTS

285-0003-0XX-CD

Sht. 2 of 3

SENSOR MODEL #	PRIMARY SEAL WETTED MATERIALS
700-0001-022	TFE/316SS
700-0001-024	TFE/316SS
700-0001-026	TFE/316SS
700-0001-034	TFE/CS
700-0001-040	POLYETHYLENE/316SS
700-0001-044	PFA/316SS
700-0001-054	TFE/316SS
700-0001-064	TFE/316SS
700-0001-074	TFE/316SS
700-0001-344	PFA/316SS
700-0002-023	TFE/316SS
700-0002-024	TFE/316SS
700-0002-027	FEP/TFE/316SS
700-0002-028	TFE/316SS
700-0002-033	TFE/316SS
700-0002-037	PVDF/TFE/316SS
700-0002-040	UHMW PE/SILICONE/316SS
700-0002-044	PVDF/TFE/316SS

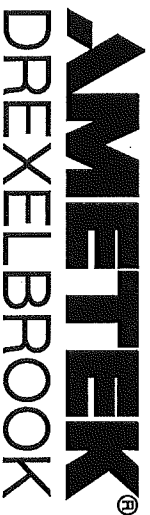
SENSOR MODEL #	PRIMARY SEAL WETTED MATERIALS
700-0002-054	FEP/TFE/316SS
700-0002-057	PVDF/TFE/316SS
700-0002-064	PVDF/TFE/316SS
700-0002-224	TFE/316SS
700-0002-321	FEP/TFE/316SS
700-0002-360	PFA/TFE/316SS
700-0201-005	TFE/316SS
700-0201-025	TFE/316SS
700-0201-026	TFE/316SS
700-0201-027	TFE/316SS
700-0201-028	TFE/316SS
700-0201-035	TFE/316SS
700-0201-051	TFE/316SS
700-0201-052	TFE/316SS
700-0201-058	TFE/316SS
700-0201-059	TFE/316SS
700-0202-002	TFE/316SS
700-0202-053	TFE/316SS

SENSOR MODEL #	PRIMARY SEAL WETTED MATERIALS
700-1202-001	PEEK/316SS
700-1202-010	PEEK/316SS
700-1202-012	PEEK/316SS
700-1202-014	PEEK/316SS
700-1202-018	PEEK/316SS
700-1202-020	PEEK/316SS
700-1202-021	PEEK/316SS
700-1202-028	PEEK/316SS
700-1202-031	PEEK/316SS
700-1202-032	PEEK/316SS
700-1202-033	PEEK/316SS
700-1202-034	PEEK/316SS
700-1202-041	PEEK/316SS
700-1202-042	PEEK/316SS
700-1202-061	PEEK/316SS
700-1202-081	PEEK/316SS
700-9100-303	PEEK/316SS

CERTIFIED _____ by _____
 PO # _____
 ENG _____
 USER _____
 DE # _____

ISS: 1 EDO/DSR NO. APP'D: _____ DATE: 9-10-08

COPYRIGHT 2008 AMETEK DREXELBROOK
 SCALE NONE UNLESS OTHERWISE STATED ALL DIMENSIONS IN INCHES (MM)
 DR. JUS 9-3-08
 CK. 9-10-08



205 KEITH VALLEY RD
 HORSHAM, PA 19044-9986

215-674-1294
 FAX 215-674-2731

CONTROL DRAWING,
 DUAL SEAL ASSEMBLY
 FOR USE WITH
 700 SERIES SENSING ELEMENTS
 285-0003-0XX-CD
 SH. 3 OF 3
 ISS. 1